

Part Number: PT347-34070

NOTE: Part number of this accessory may not be the same as the part number shown.

Kit Contents

Item #	Quantity Req.	Description
1	1	Convenience Net
2	1	Installation Instructions

Hardware Bag Contents

Item #	Quantity Req.	Description
1	2	T-Anchors
2	2	Steel Plates
3	2	Spacers

Additional Items Required For Installation

Item #	Quantity Req.	Description
1		

Conflicts

--

Recommended Tools

Personal & Vehicle Protection	Notes
None	
Special Tools	Notes
None	
Installation Tools	Notes
None	
Special Chemicals	Notes
None	

General Applicability

All Tundra vehicles

Recommended Sequence of Application

Item #	Accessory
1	Accessory Rail
2	Cargo Net
3	

*Mandatory

Vehicle Service Parts (may be required for reassembly)

Item #	Quantity Req.	Description
1		
2		
3		

Legend



STOP: Damage to the vehicle may occur. Do not proceed until process has been complied with.



OPERATOR SAFETY: Use caution to avoid risk of injury.



CAUTION: A process that must be carefully observed in order to reduce the risk of damage to the accessory/vehicle and to ensure a quality installation.



TOOLS & EQUIPMENT: Used in Figures calls out the specific tools and equipment recommended for this process.

Care must be taken when installing this accessory to ensure damage does not occur to the vehicle. The installation of this accessory should follow approved guidelines to ensure a quality installation.

These guidelines can be found in the "Accessory Installation Practices" document.

This document covers such items as:-

- Vehicle Protection (use of covers and blankets, cleaning chemicals, etc.).
- Safety (eye protection, rechecking torque procedure, etc.).
- Vehicle Disassembly/Reassembly (panel removal, part storage, etc.).
- Electrical Component Disassembly/Reassembly (battery disconnection, connector removal, etc.).

Please see your Toyota dealer for a copy of this document.

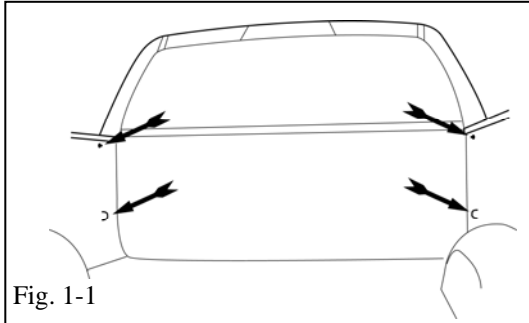


Fig. 1-1

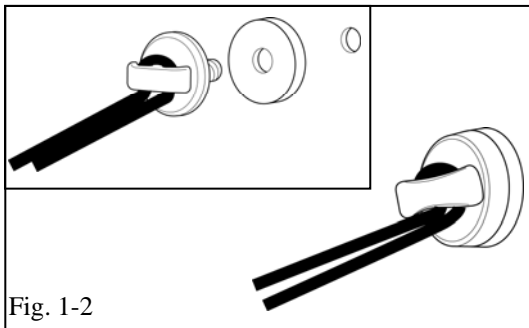


Fig. 1-2

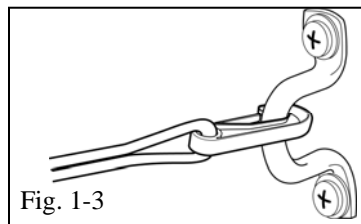


Fig. 1-3

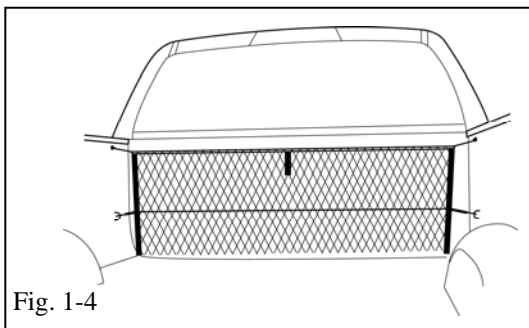


Fig. 1-4

1. Installation of Cargo Net without Rail

(a) Locate attachment points at the front of the corners of the bed (Fig 1-1).

(b) Slide spacer onto the back of the T-anchor, and fasten the T-anchor to the front Accessory Rail mounting hole.



(1) Make sure the T-anchor is in the horizontal position when tightened (Fig. 1-2).

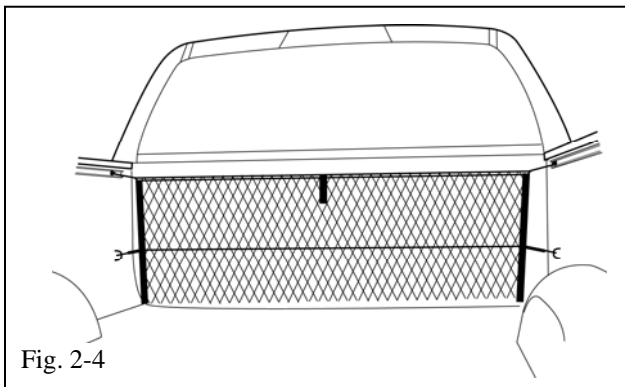
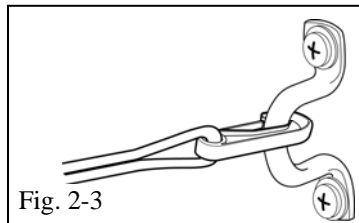
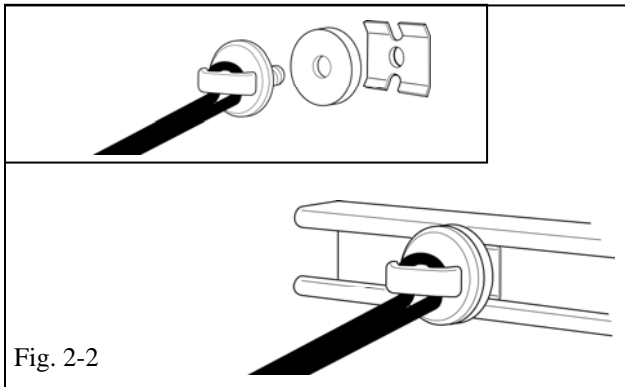
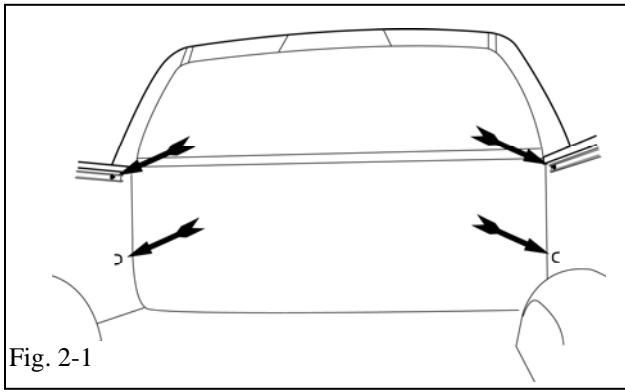
(c) Attach the loop at the top of the net to the T-anchor as shown. (Fig. 1-2)

(d) Attach hook at the bottom of the net to the tie down loop as shown (Fig. 1-3).

(e) Repeat steps 1(a) through 1(e) for the opposite side of the vehicle.



(f) Completed assembly. Make sure the net handle faces outward toward the rear of the vehicle (Fig 1-4).



2. Installation of Cargo Net with Rail - Front

- (a) Locate attachment points in the front corner.
- (b) Remove front Accessory Rail end cap.

- (c) Slide spacer onto the back of the T-anchor, and fasten the T-anchor to the backing plate.



- (1) The backing plate “ears” should bend toward the rail lip. (Fig. 2-2)

- (2) Do not tighten at this time.

- (d) Slide T-anchor assembly into the Accessory Rail and tighten securely.



- (1) Make sure the T-anchor is in the horizontal position when tightened. (Fig. 2-2).

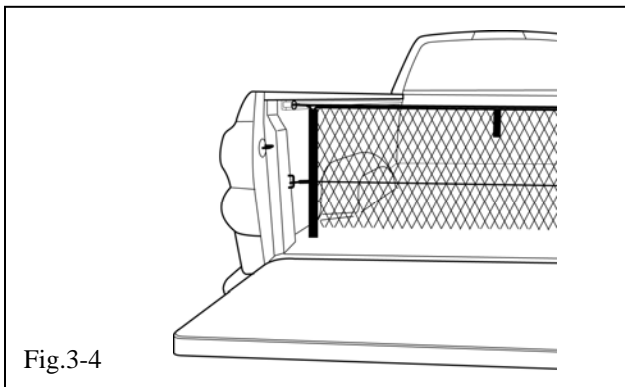
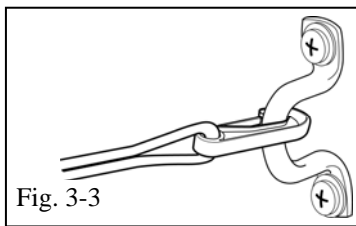
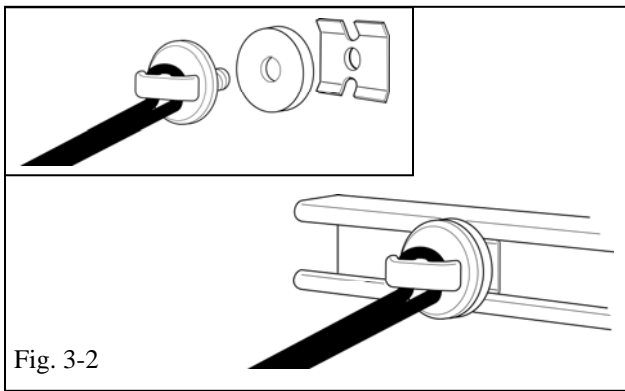
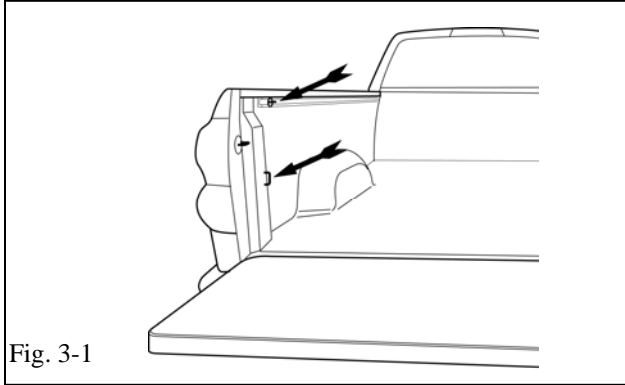
- (e) Attach the loop at the top of the net to the T-anchor as shown. (Fig. 2-2)

- (f) Attach hook at the bottom of the net to the tie down loop as shown. (Fig. 2-3).

- (g) Repeat steps 2(a) through 2(f) for the opposite side of the vehicle.



- (h) Completed assembly. Make sure the net handle faces outward toward the rear of the vehicle (Fig 2-4).



3. Installation of Cargo Net with Rail - Rear

- (a) Locate attachment points at the rear corner of the bed (Fig 3-1).
- (b) Remove rear Accessory Rail end cap.

- (c) Slide spacer onto the back of the T-anchor, and fasten the T-anchor to the backing plate.



- (1) The backing plate “ears” should bend toward the rail lip. (Fig. 3-2)

- (2) Do not tighten at this time.

- (d) Slide T-anchor assembly into the Accessory Rail and tighten securely.



- (1) Make sure the T-anchor is in the horizontal position when tightened. (Fig. 3-2).

- (e) Attach the loop at the top of the net to the T-anchor as shown. (Fig. 3-2)

- (f) Attach hook at the bottom of the net to the tie down loop as shown. (Fig. 3-3).

- (g) Repeat steps 3(a) through 3(f) for the opposite side of the vehicle.



- (h) Completed assembly. Make sure the net handle faces outward toward the rear of the vehicle (Fig 3-4).

Checklist - these points **MUST** be checked to ensure a quality installation.

Check:

Look For:

Accessory Function Checks

Confirm that the net is attached properly to the anchor points in the vehicle.

Loops are attached to the anchors at the top.

Hooks are attached to lower D-rings.

Net handle should face out toward the rear of the vehicle.

Confirm that the anchors are attached properly to the vehicle.

Make sure the T-anchors are in the horizontal position when tightened to the vehicle.