

**Part Number: PU060-18013-P1**

**Kit Contents**

Item #	Quantity Reqd.	Description
1	1	Front Passenger Side Mudguard
2	1	Front Driver Side Mudguard
3	1	Rear Passenger Side Mudguard
4	1	Rear Driver Side Mudguard
5	1	Hardware Kit
6	1	Instruction Sheet (Electronic Copy)

**Hardware Bag Contents**

Item #	Quantity Reqd.	Description
1	10	M5 x 20 mm Screws
2	4	M5 Spring Clips (Small)
3	6	M5 Spring Clips (Large)
4	4	Push Pins (Small)
5	2	Push Pins (Large)

**Additional Items Required For Installation**

Item #	Quantity Reqd.	Description
1		
2		
3		

**Conflicts**

Ground effects or body kit (i.e. Release Series)
--

**Recommended Tools**

<b>Personal &amp; Vehicle Protection</b>	<b>Notes</b>
None	
<b>Special Tools</b>	<b>Notes</b>
None	
<b>Installation Tools</b>	<b>Notes</b>
Screwdriver	Phillips #2
Screwdriver	Slot
Drill	
Drill Bit	8mm (5/16")
Clean Cloth/Rag	
<b>Special Chemicals</b>	<b>Notes</b>
Cleaner	Soap & Water Mixture

**General Applicability**

All but Release Series
------------------------

**Recommended Sequence of Application**

Item #	Accessory
1	
2	
3	

\*Mandatory

**Vehicle Service Parts** (may be required for reassembly)

Item #	Quantity Reqd.	Description
1		
2		
3		

**Legend**



**STOP:** Damage to the vehicle may occur. Do not proceed until process has been complied with.



**OPERATOR SAFETY:** Use caution to avoid risk of injury.



**CAUTION:** A process that must be carefully observed in order to reduce the risk of damage to the accessory/vehicle and to ensure a quality installation.



**TOOLS & EQUIPMENT:** Used in Figures calls out the specific tools and equipment recommended for this process.



**REVISION MARK:** This mark highlights a change in installation with respect to previous issue.



**SAFETY TORQUE:** This mark indicates that torque is related to safety.

Care must be taken when installing this accessory to ensure damage does not occur to the vehicle. The installation of this accessory should follow approved guidelines to ensure a quality installation.

These guidelines can be found in the "Accessory Installation Practices" document.

This document covers such items as:-

- Vehicle Protection (use of covers and blankets, cleaning chemicals, etc.).
- Safety (eye protection, rechecking torque procedure, etc.).
- Vehicle Disassembly/Reassembly (panel removal, part storage, etc.).
- Electrical Component Disassembly/Reassembly (battery disconnection, connector removal, etc.).

Please see your Scion dealer for a copy of this document.

### 1. Clean the Front Mounting Area.

- ⚠ (a) Clean and degrease the front body panel where the mudguard is to be located with a clean cloth and soap/water mixture.

### 2. Remove and Install the Front Hardware.

- (a) Remove the existing push pins at locations A, B and C. Keep them for reuse (Fig. 2-1).
- (b) Remove and discard the existing push pin at location E. It will not be reused (Fig. 2-1).

- ⚠ (c) Pull the liner forward and install the supplied spring clips (large) centered over the fender edge at locations B and C with the turned up edge on the inside of the panel (Fig. 2-1).

- ⚠ (d) Reposition the liner and reinstall the previously removed push pin in location A (Fig. 2-1).

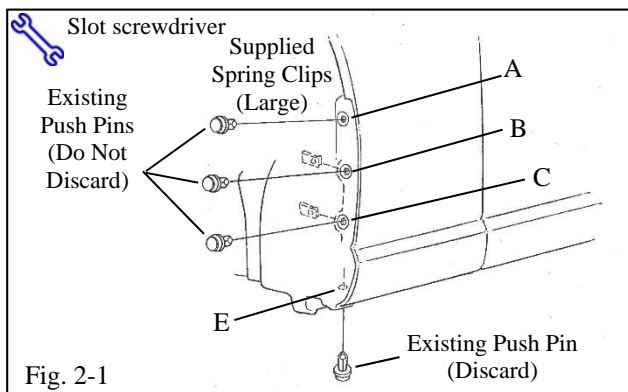
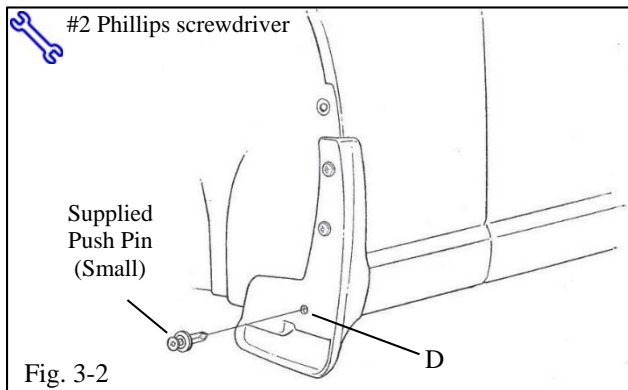
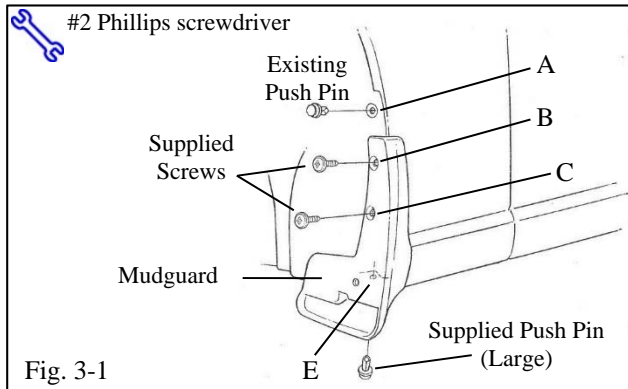


Fig. 2-1



### 3. Install the Front Mudguard.

- (a) While holding the part up and into the body panel, mount the mudguard on the body panel and install a supplied push pin (large) in location E (Fig. 3-1).



- (b) Hold the part up and into the body panel and install supplied 20mm screws in locations B and C, then tighten.



- (c) While holding the part in position, drill an 8mm (5/16") hole at location D (Fig. 3-2).

- (d) Hold the part into the body panel and install a supplied push pin (small) into location D (Fig. 3-2).

- (e) Repeat Steps 2 & 3 on the other side.

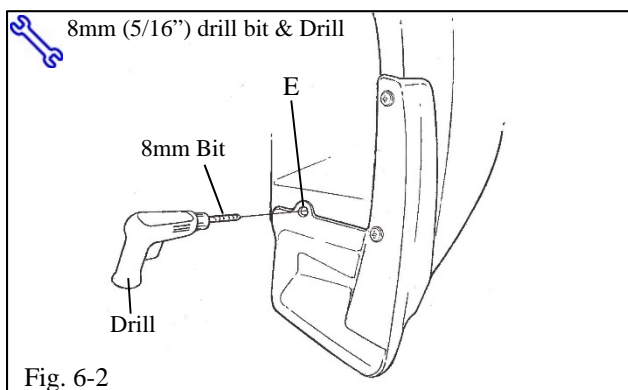
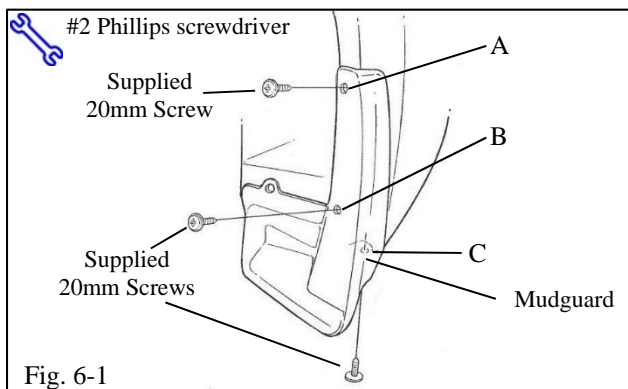
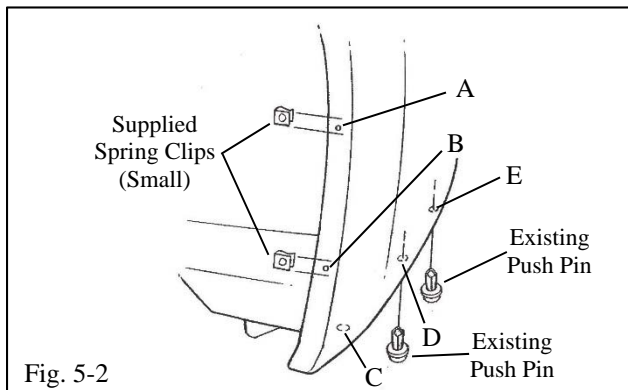
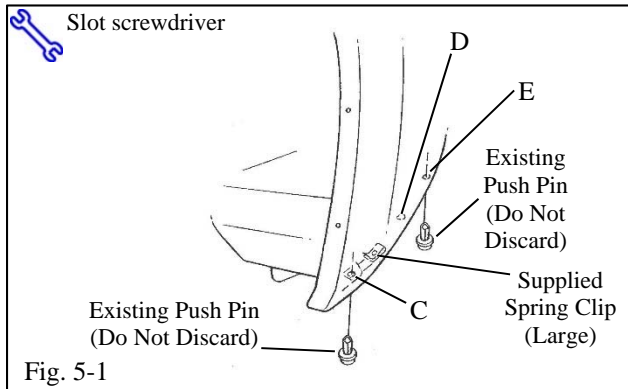
### 4. Clean the Rear Mounting Area and Remove the Wheel.



**NOTE: REMOVAL AND REINSTALLATION OF THE REAR WHEELS IS REQUIRED TO DRILL THE INNER LINER ATTACHMENT HOLES.**



- (a) Clean and degrease the rear bumper panel where the mudguard is to be located with a clean cloth and soap/water mixture.
- (b) Support the vehicle and remove the rear wheel. Follow the owners manual procedure.



**5. Remove and Install the Rear Hardware.**

(a) Remove the existing push pins at locations C and E. Keep them for reuse (Fig. 5-1).

**!** (b) Pull the bumper cover out at the bottom and install a supplied (large) spring clip centered over the lower liner edge hole at location C with the turned up edge facing up. Then reposition bumper cover (Fig. 5-1).

(c) Install supplied spring clips (small) over the panel edge holes or dimples (depending on model) at locations A and B with the turned up edge on the inside of the panel (Fig. 5-2).

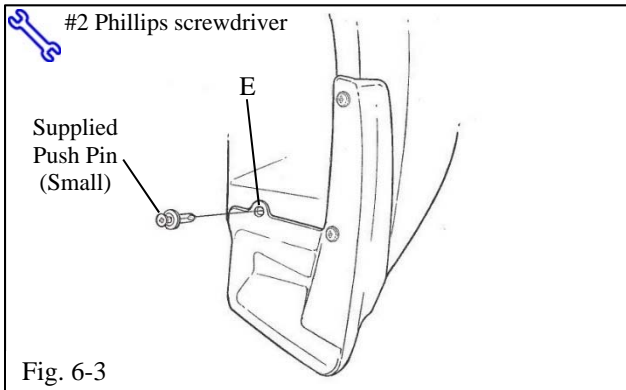
(d) Reinstall the previously removed push pins at locations D and E (Fig. 5-2).

**6. Install the Rear Mudguard.**

(a) While holding the part up and into the bumper panel, install the supplied 20mm screw in location C and tighten it (Fig. 6-1).

(b) While holding the part up and into the bumper panel, install the supplied 20mm screws in locations A and B and tighten them (Fig. 6-1).

(c) While holding part firmly against liner, use the part as a template and drill an 8mm (5/16'') hole at location E (Fig. 6-2).



- (d) Hold the part firmly against liner and install a supplied push pin at location E (Fig. 6-3).
- (e) Reinstall the rear wheel. Follow the owner's manual procedure.
- (f) Repeat Steps 5 & 6 on the other side.

Checklist - these points **MUST** be checked to ensure a quality installation.

Check:	Look For:
<p><u>Accessory Function Checks</u></p> <ul style="list-style-type: none"> <li><input type="checkbox"/> Gaps between mudguards and body side</li> <li><input type="checkbox"/></li> <li><input type="checkbox"/></li> <li><input type="checkbox"/></li> </ul>	<p>Gaps greater than 1.0 mm</p>
<p><u>Vehicle Function Checks</u></p> <ul style="list-style-type: none"> <li><input type="checkbox"/></li> <li><input type="checkbox"/></li> <li><input type="checkbox"/></li> </ul>	
<p><u>Vehicle Appearance Check</u></p> <ul style="list-style-type: none"> <li><input type="checkbox"/> After accessory installation and removal of protective cover(s), perform a visual inspection.</li> </ul>	<p>Ensure no damage (including scuffs and scratches) was caused during the installation process. (For PPO installations, refer to TMS Accessory Quality Shipping Standard.)</p>