

Part Number: PT928-60080

Section I - Installation Preparation

Kit Contents

Item #	Quantity Reqd.	Description
1	1	Hood Protector
2	1	Hardware Bag

Hardware Bag Contents

Item #	Quantity Reqd.	Description
1	5	Screw Plugs
2	5	Large Screws (14G)
3	3	Center Metal Brackets
4	2	Wing Metal Brackets
5	5	Small Washers
6	5	Small Screws (3/16")
7	5	Mylar Strips

Additional Items Required For Installation

Item #	Quantity Reqd.	Description

Conflicts

Note: Front End Mask

Recommended Tools

Safety Tools	
Vehicle Protection	Blanket
Special Tools	
None	
Installation Tools	
Screwdriver	Phillips, #2
Special Chemicals	
Cleaner	Soap & Water

General Applicability







Note:

Recommended Sequence of Application

Item #	Accessory	

*Mandatory

Legend

	STOP: Damage to the vehicle may occur. Do not proceed until process has been complied with.
	OPERATOR SAFETY: Use caution to avoid risk of injury.
	CRITICAL PROCESS: Proceed with caution to ensure a quality installation. These points will be audited on a completed vehicle installation.
	GENERAL PROCESS: This highlights specific processes to ensure a quality installation. These points will be audited during the accessory installation.
	TOOLS & EQUIPMENT: Calls out the specific tools and equipment recommended for this process.
	REVISION MARK: This mark highlights a change in installation with respect to previous issue.

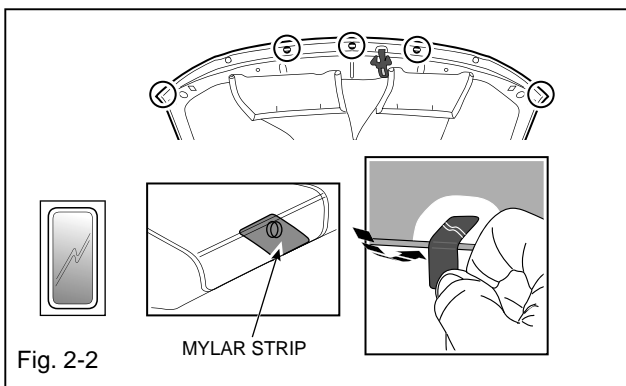
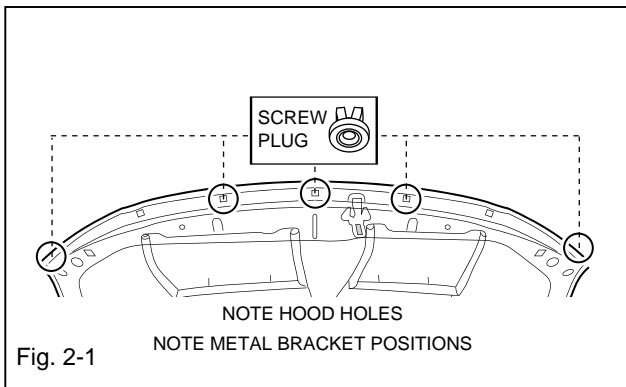
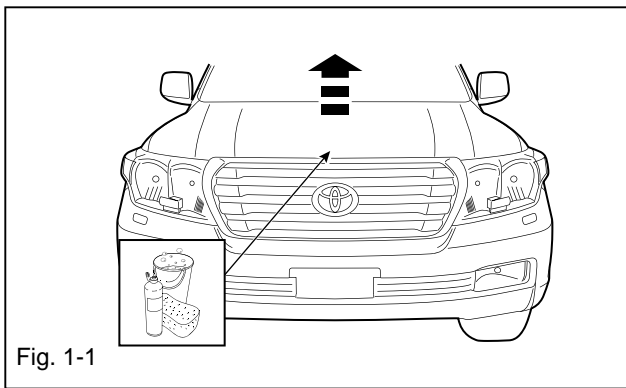
Care must be taken when installing this accessory to ensure damage does not occur to the vehicle. The installation of this accessory should follow approved guidelines to ensure a quality installation.

These guidelines can be found in the "Accessory Installation Practices" document.

This document covers such items as:-

- Vehicle Protection (use of covers and blankets, cleaning chemicals, etc.).
- Safety (eye protection, rechecking torque procedure, etc.).
- Vehicle Disassembly/Reassembly (panel removal, part storage, etc.).
- Electrical Component Disassembly/Reassembly (battery disconnection, connector removal, etc.).

Please see your Toyota Dealer for a copy of this document.



1. Pre-Installation Preparation.

(a) Inspect and verify the kit contents.



(b) Make sure hood and grill, where the Hood Protector is to be installed, is clean and free from dirt and/or debris using mild soap and water. Cover engine bay completely with a protective blanket to catch any dropped hardware.

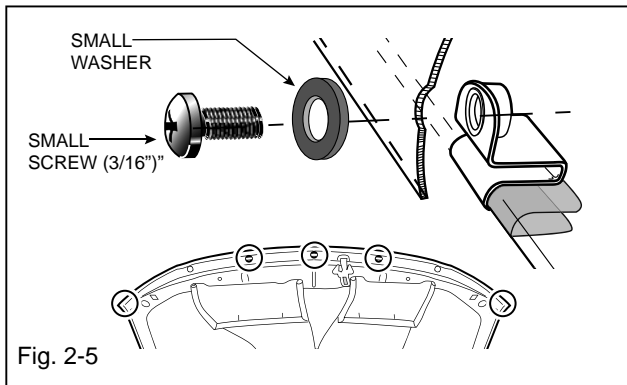
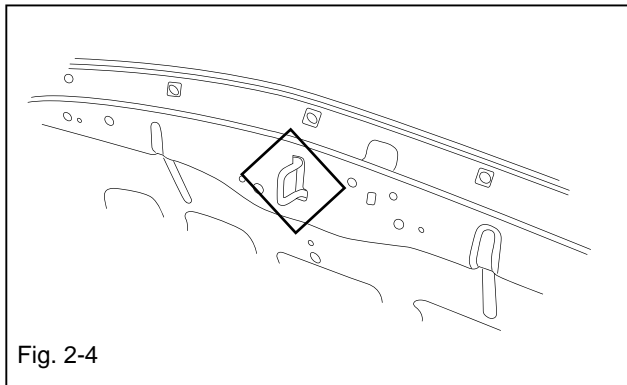
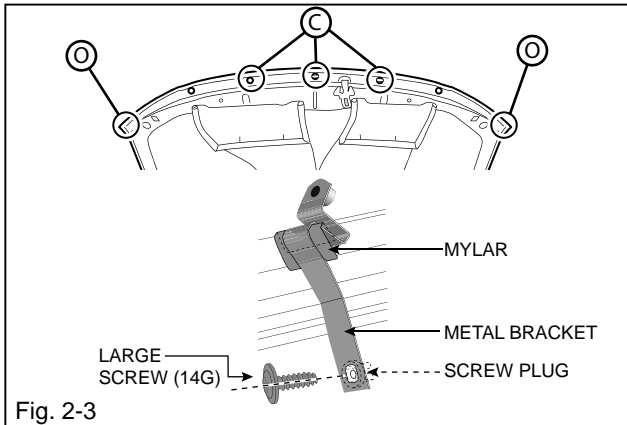
(c) Open the hood. Fig. 1-1

2. Hood Protector Installation.

(a) Insert screw plugs provided into holes in underside of hood corresponding to hole positions on hood protector. Fig. 2-1

(1) Adhere the mylar strip over the hood lip in positions adjacent to previously installed screw plugs. Fig. 2-2.

(2) Apply mylar so that approximately half of each strip is adhered to the top side and half is adhered to the underside of hood



Section II - Installation Procedure

2. Hood Protector Installation.



(c) Locate the metal brackets over the mylar strips on the hood lip. The 3 brackets marked "C" are to be installed in the centre section of the hood, as shown. The 2 brackets marked "O" are to be installed in the areas of the hood directly above the headlights, as shown. Fig. 2-3.



(1) With screwdriver, secure the metal brackets to hood with the large screws (14G). Ensure metal brackets are pushed fully against hood lip before screws are tightened.

IMPORTANT: Ensure that the metal brackets are positioned over mylar strip and do not come in contact with any of the hood's paint work. Failure to do this may result in permanent paint damage.



(d) Locate Hood Protector centrally onto hood by aligning the center slot in the protector with the Hood Latch. Fig. 2-4.

(e) Secure the Hood Protector to the metal brackets with the small screws (3/16") and small washers provided. Start with the center metal bracket fixing and move out. Close the hood. Fig. 2-5

Section III - Checklist Procedure - These points MUST be checked to ensure a quality installation.



Functional Verifications

Check: _____

Hood closure.

Inspect Brackets

Mylar Installation

Screw Tighness

Look For: _____

The Hood Protector should not contact the headlights.

The Hood Protector should not contact the grill.

Brackets are tight against front lip edge of hood .

Mylar strips should not have air bubbles or wrinkles

Screws attaching Hood Protector to Brackets are firmly tightened.