

**Part Number: PTR03-52071**

**Kit Contents**

Item #	Quantity Reqd.	Description
1	1	SCION xD Exhaust Assembly

**Hardware Bag Contents**

Item #	Quantity Reqd.	Description
1	1	Auxiliary Rubber Hanger

**Additional Items Required For Installation**

Item #	Quantity Reqd.	Description
1		

**Conflicts**

None
------

**Recommended Tools**

<b>Personal &amp; Vehicle Protection</b>	<b>Notes</b>
None	
<b>Special Tools</b>	<b>Notes</b>
Exhaust Hanger Removal Tool	e.g. Snap On P/N YA3202
<b>Installation Tools</b>	<b>Notes</b>
Socket	14 mm,
Torque Wrench	32 lbf.ft (43 N.m)
<b>Special Chemicals</b>	<b>Notes</b>
Lubricant	WD40 / Soap & Water (If Required)

**General Applicability**

2008 MY SCION xD (All Grades)
-------------------------------

**Recommended Sequence of Application**

Item #	Accessory
1	






\*Mandatory

**NOTE:** Part number of this accessory may not be the same as the part number shown.

**Vehicle Service Parts** (may be required for reassembly)

Item #	Quantity Reqd.	Description
1		

**Legend**

	<b>STOP:</b> Damage to the vehicle may occur. Do not proceed until process has been complied with.
	<b>OPERATOR SAFETY:</b> Use caution to avoid risk of injury.
	<b>CAUTION:</b> A process that must be carefully observed in order to reduce the risk of damage to the accessory/vehicle and to ensure a quality installation.
	<b>TOOLS &amp; EQUIPMENT:</b> Used in Figures calls out the specific tools and equipment recommended for this process.
	<b>REVISION MARK:</b> This mark highlights a change in installation with respect to previous issue.

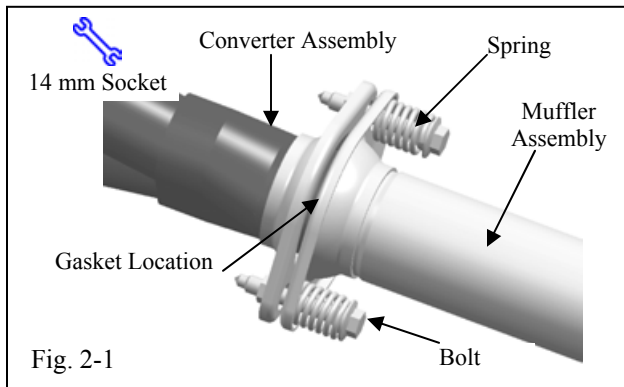
Care must be taken when installing this accessory to ensure damage does not occur to the vehicle. The installation of this accessory should follow approved guidelines to ensure a quality installation.

These guidelines can be found in the "Accessory Installation Practices" document.


This document covers such items as:-

- Vehicle Protection (use of covers and blankets, cleaning chemicals, etc.).
- Safety (eye protection, rechecking torque procedure, etc.).
- Vehicle Disassembly/Reassembly (panel removal, part storage, etc.).
- Electrical Component Disassembly/Reassembly (battery disconnection, connector removal, etc.).


Please see your Toyota dealer for a copy of this document.



### 1. Check the Kit content.

-  (a) Make sure that the exhaust kit is the correct exhaust for the specific model.

### 2. Remove Existing Exhaust System.

- (a) Using the 14mm socket, remove two bolts with springs from front flange located between catalytic converter and rear muffler. (Fig. 2-1)
-  (b) Keep all original hardware (OE) bolts and springs. (Fig. 2-1)
- (c) Pry the rear tailpipe exhaust brackets loose from the two (2) rubber hangers located near the rear of the vehicle. (Fig. 2-2)
- (d) Remove the OE rear tailpipe assembly from the vehicle, and dispose properly.

**NOTE:** Use of lubrication (such as “soap and water”) on the rubber exhaust hangers can facilitate removal and installation of rubber hangers.



Fig. 3-1



Fig. 3-2

### 3. Installation of TRD Exhaust System

- (a) Remove & discard the forward bottom passenger side spare tire tub plug and discard. (Fig. 3-1)
- (b) Insert the auxiliary rubber hanger included in the kit. (Fig. 3-2)
- (c) Connect the three (3) muffler hangers of the TRD muffler assembly onto the OE & auxiliary rubber hangers. (Fig. 3-3)
- (d) Make sure TRD muffler front flange is lined up to converter assembly flange.



- (e) Install the TRD exhaust front flange to the OE front converter assembly. Reinstall two (2) compression springs & bolts. (Fig. 3-4)



- (1) Tighten bolts to 32 lbf-ft (43N-m)

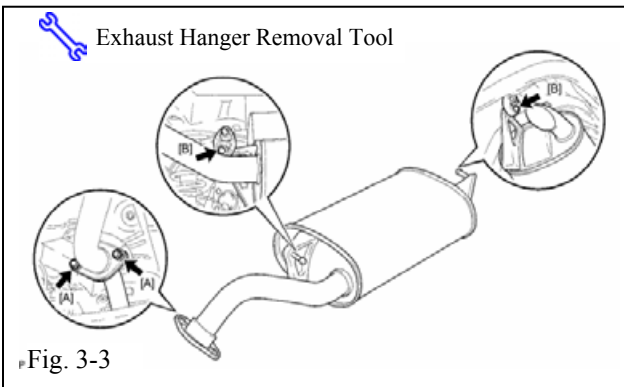


Fig. 3-3

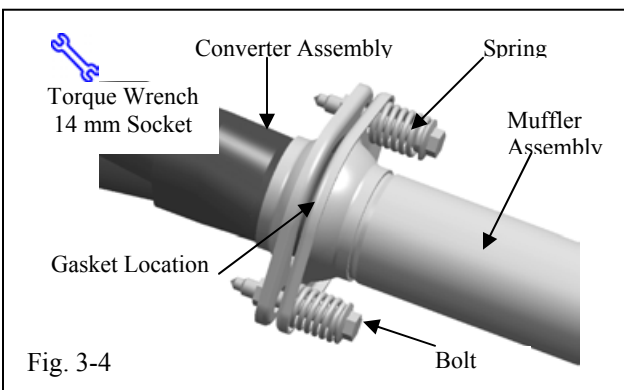


Fig. 3-4

Checklist - these points **MUST** be checked to ensure a quality installation.

Check:


Look For:

Accessory Function Checks

- Correct part has been installed.
- All joints have been securely fastened.
- Hooks/hangers have been securely reattached.
- Start the vehicle.

- Verify part number on package.
- Verify joints are tightened.
- Verify hooks/hangers are securely attached.
- Verify the flange joints do not have abnormal leak sound or water leak.

Vehicle Function Checks

-   Inspection torque – TRD Exhaust to OE converter assembly.

32+/- 5 lbf-ft (43 +/- 6 N-m).