

Part Number:

PT900-08100, SIENNA RSE (AUX)

PT900-08110, SIENNA RSE (USB/AUX)

Kit Contents

Item #	Quantity Req'd.	Description
1	2	Seat Top Dock Assembly
2	2	Seat Top Dock Cover
3	2	Extension Cable
4	1	Audio Interface Module
5	1	Audio Interface Module Bracket
6	1	Power / Audio Interface Harness
7	2	Upper Bracket
8	2	Lower Bracket
9	2	Upper Nut Plate
10	2	Lower Nut Plate
11	1	Hardware Bag
12	1	AIM Bracket Cutting Template
13	1	Seat Foam Cutting Template
14	1	Owner's Manual, Toyota Seat Top DVD RSE

Hardware Bag Contents

Item #	Quantity Req'd.	Description
1	20	Cable Tie, 8" Black
2	1	Christmas Tree Tie
3	3 Sheets	18 Foam Pads, 2.5" x 1.5"
4	4	Nut, KEPS, M4
5	2	Butyl Tape
6	2	Female T-Tap, Connector
7	14	Hog Ring
8	8	Screw, M5-0.5 x 12mm BHSCS
9	8	Screw, M4 x 28mm SHCS
10	2	Split Loom
11	4	8" Releasable Cable Ties

Additional Items Required For Installation

Item #	Quantity Req'd.	Description
1	1	Universal Seat Top LCD/DVD PT900-01100

Conflicts

--

Recommended Tools

Personal & Vehicle Protection	Notes
Vehicle Protection	Blankets, Seat Covers, Protective Seat Feet Covers
Special Tools	Notes
Installation Tools	Notes
Pliers	
Drive Ratchet	1/4", 3/8"

Socket	10 mm, 11 mm, 12 mm, 14 mm
Torque Wrenches	10-50 lbf•in, 5-75 lbf•ft
Ratchet, Extension	6"
Screwdriver	Phillips #2
Screwdriver, Protected	Flat Blade (tape wrapped)
Plastic Pry Tool	Panel Removal
Masking Tape	
Razor Knife	
Side Cutters	
Test DVD Discs (2)	
Dual Channel Test Wireless Headphones	
Test Remote Control	
Felt tip Marker	
Electrical Tape	
Allen Key	M4
VDC Approved Cleaner	
Special Chemicals	Notes
None	

General Applicability







--

Recommended Sequence of Application

Item #	Accessory
1	DVD RSE

*Mandatory

Legend

	STOP: Damage to the vehicle may occur. Do not proceed until process has been complied with.
	OPERATOR SAFETY: Use caution to avoid risk of injury.
	CAUTION: A process that must be carefully observed in order to reduce the risk of damage to the accessory/vehicle and to ensure a quality installation.
	TOOLS & EQUIPMENT: Used in Figures calls out the specific tools and equipment recommended for this process.
	REVISION MARK: This mark highlights a change in installation with respect to previous issue.
	SAFETY TORQUE: This mark indicates that torque is related to safety.

Care must be taken when installing this accessory to ensure damage does not occur to the vehicle. The installation of this accessory should follow approved guidelines to ensure a quality installation.

These guidelines can be found in the "Accessory Installation Practices" document.

This document covers such items as:-

- Vehicle Protection (use of covers and blankets, cleaning chemicals, etc.).
- Safety (eye protection, rechecking torque procedure, etc.).
- Vehicle Disassembly/Reassembly (panel removal, part storage, etc.).
- Electrical Component Disassembly/Reassembly (battery disconnection, connector removal, etc.).

Please see your Toyota dealer for a copy of this document.

NOTES:

Removed Parts:-

Place all removed parts on a protected surface in an area where they will not be damaged.



Connectors:-

When disconnecting connectors, do not pull on the wires; pull on the connectors.



1. Vehicle Preparation and Protection

(a) Set the emergency brake, and unlock all vehicle doors.

(b) Open the hood and apply protective covers to the fender/grill area by the battery.

(c) Move both power front seats to the forward most position.



(d) Remove the negative battery cable. (Fig. 1-1)



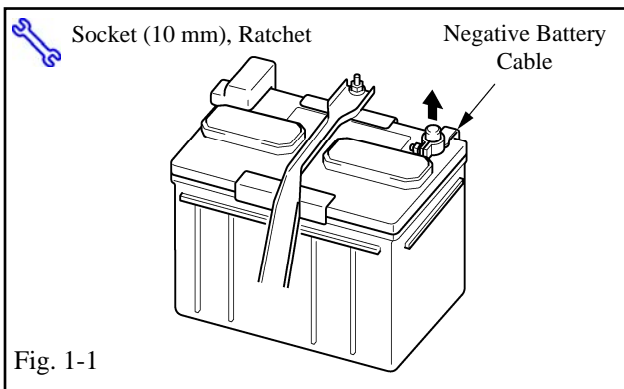
(1) Do not touch the positive terminal with any tool when removing cable.

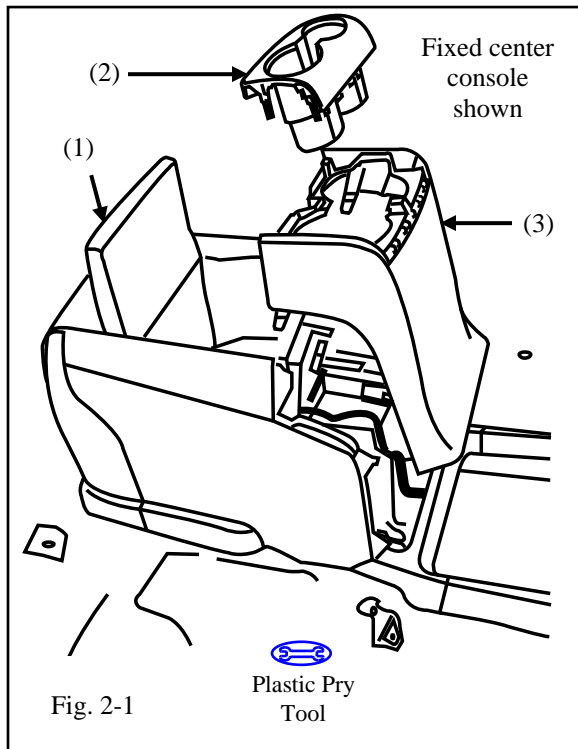


CAUTION: Do not disconnect the connectors under the seats unless the negative battery cable is removed!



(e) Cover the 2nd row seats and the interior of vehicle using seat covers and blankets.





2. Fixed Center Console Removal

STOP **CAUTION:** Before beginning Step 2 wait for at least 90 seconds after disconnecting the negative cable to prevent the airbag from deploying.

+ **CAUTION:** The procedure described below can affect the SRS airbag system. Read the precautionary notices concerning the SRS airbag system before proceeding (See page RS-1 of the service manual).

!

STOP **NOTE:** If the vehicle has a sliding center console, proceed to Sliding Center Console Removal step 3.

STOP **NOTE:** If the vehicle does not have a center console, proceed to Vehicles without Center Console step 4.

STOP **NOTE:** Place all parts of the center console and attaching hardware on a protective blanket outside the vehicle following removal.

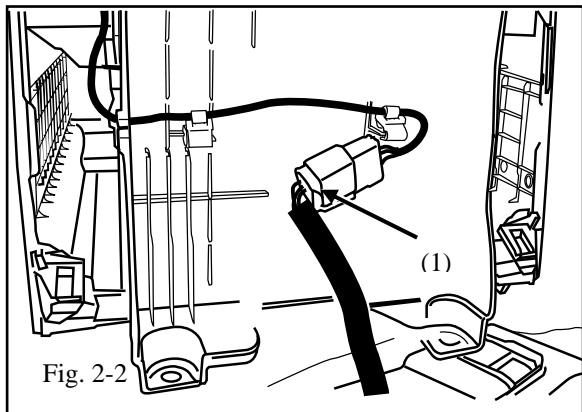
(a) Remove the cup holder: (Fig. 2-1)

- (1) Open the center console storage door (1).
- (2) Lift the cup holder up and out (2).

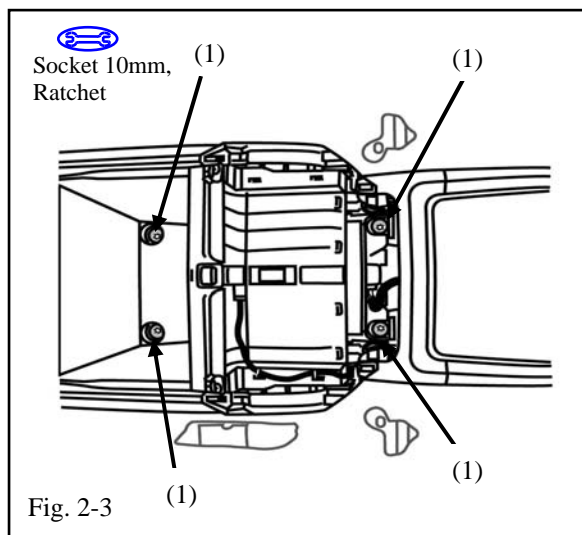
(b) Remove the forward storage box garnish: (Fig. 2-1)

- (1) Disengage the six clips and remove the forward storage box garnish (3).

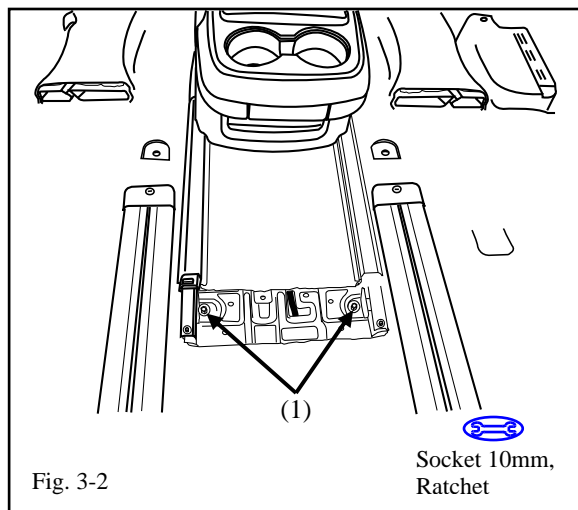
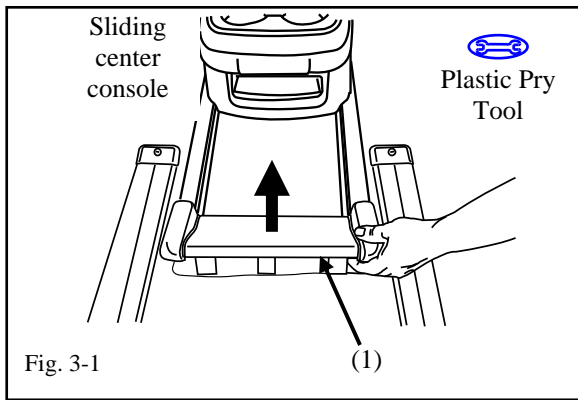
STOP (c) Remove the center console storage box assembly.




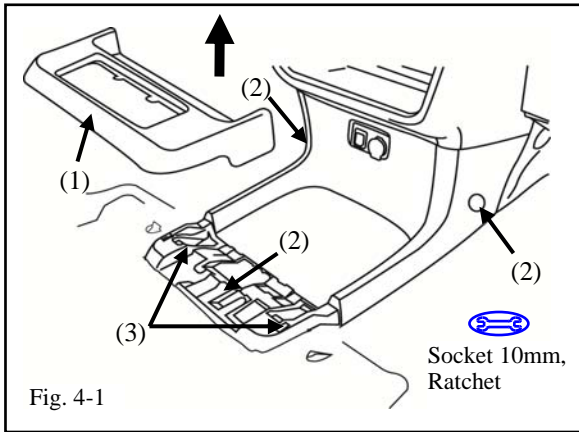
- (1) Disconnect the 12V accessory adaptor connector (1) from the front of the storage box assembly. (Fig. 2-2)
- (2) Remove four anchor bolts (1). (Fig. 2-3).
- (3) Remove center console storage box assembly and store on protective blanket.



3. Sliding Center Console Removal

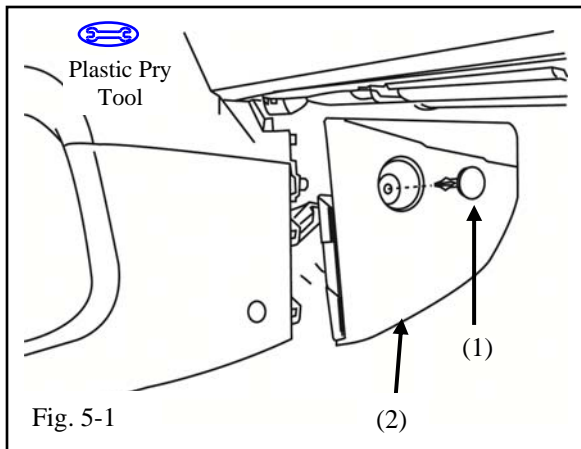


-  (a) Follow the procedures shown in Step 2 (a), (b), (c).
- (b) Disengage the clips holding the rear trim panel (1) of the sliding center console. (Fig. 3-1)
- (c) Remove the two 10mm bolts (1) from the rear portion of the sliding center console. (Fig. 3-2)
- (d) Remove center console storage box assembly and store on protective blanket.



4. Vehicles without Center Console

- (a) Disengage three clips from the lower IP floor cover (1) and remove. (Fig. 4-1)
- (b) Remove three pushpins (2). (Fig. 4-1)
- (c) Remove the two 10mm bolts (3) from the lower IP floor cover. (Fig. 4-1)



5. Lower Center Console Storage Tray Removal



- (a) Remove lower center console storage tray and forward panel assembly.

- (1) Using a plastic pry tool, remove the push pin (1), and then remove the kick panel (2) on the driver and passenger sides. (Fig. 5-1)

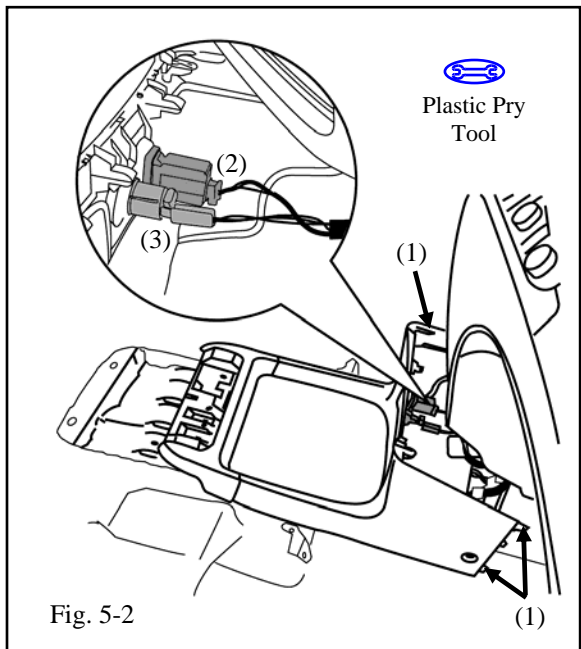
- (2) Disengage the four retaining clips (1) (two on the passenger side and two on the driver side) using a plastic pry tool. (Fig. 5-2)

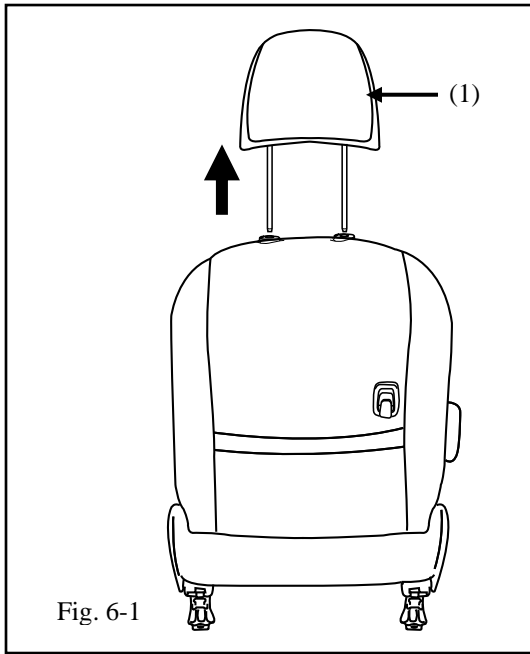


- (3) Disconnect the 12V accessory adaptor connector (3) and the AUX connector (2). (Fig. 5-2)



- (4) Remove lower center console storage tray and store on protective blanket.



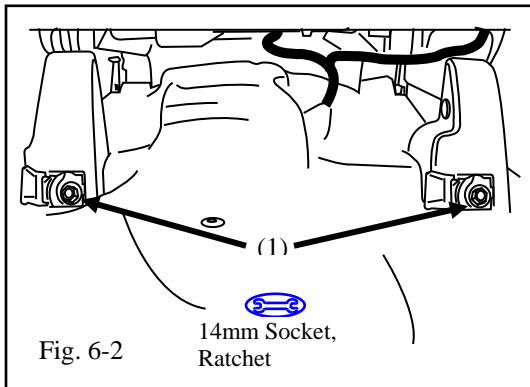


6. Front Driver and Passenger Seat Removal

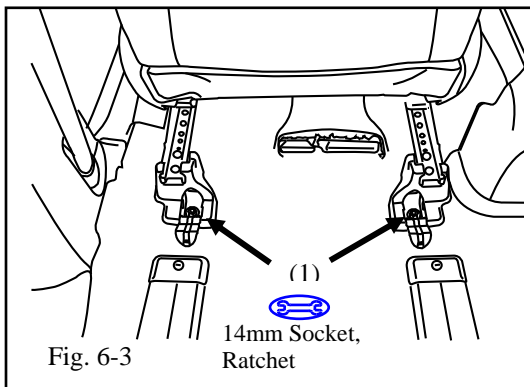
STOP **NOTE:** The procedures described below are for both the front driver and passenger seats, unless otherwise specified.

(a) Remove Front Seat Anchor Bolts

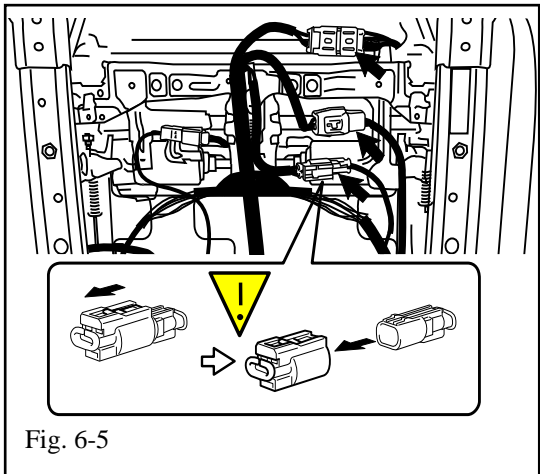
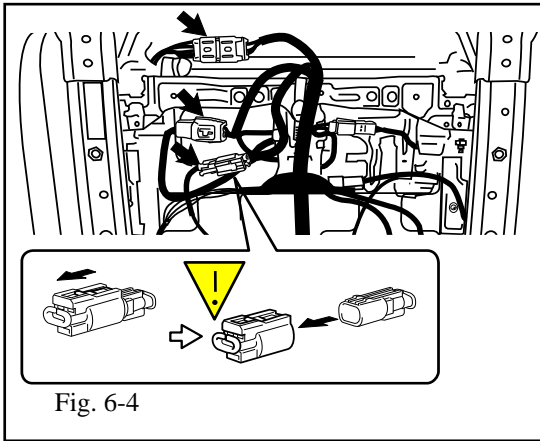
- (1) Remove the headrests from the driver and passenger front seats. (Fig. 6-1)
- (2) Move the manual front seats to the most rearward position.
- (3) All: Open the front bolt access covers exposing the 14mm seat anchor bolts (1). Remove the two 14mm seat anchor bolts (1) from the front legs. (Fig. 6-2)
- (4) Move the manual front seats to the most forward position.
- (5) All: Open the rear bolt access covers exposing the 14mm seat anchor bolts (1). Remove the two 14mm seat anchor bolts (1) from the rear legs. (Fig. 6-3)



NOTE: Before tilting the seat backward use protective coverings on the seat mounting flange and trim.



- (6) Tilt the seat backward exposing the bottom side.



CAUTION: To prevent damage to the SRS airbag system, do not proceed with the following steps unless the negative battery cable is removed!



(7) Disconnect the connectors under each seat by pressing the release tabs.
NOTE: Do not use excessive force!
For Driver Side: (Fig. 6-4)
For Passenger Side: (Fig. 6-5)



(8) Use protective seat feet covers or masking tape (4) to prevent scratching vehicle during the removal and reinstallation. (Fig. 6-2, Fig. 6-3)

(9) Remove the front seats and store on protective blanket.



CAUTION: Place protective blanket on door entry. Be careful not to damage the vehicle door trim when removing the seats.

7. Front Kick Panel Cover & Cowl Cover Removal and Floor Carpet Preparation

STOP **NOTE:** Place all parts and attaching hardware on a protective blanket outside the vehicle following removal.

STOP (a) Remove the driver side front kick panel cover and cowl cover.

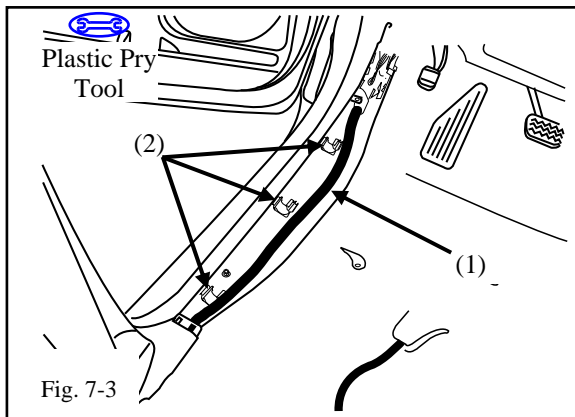
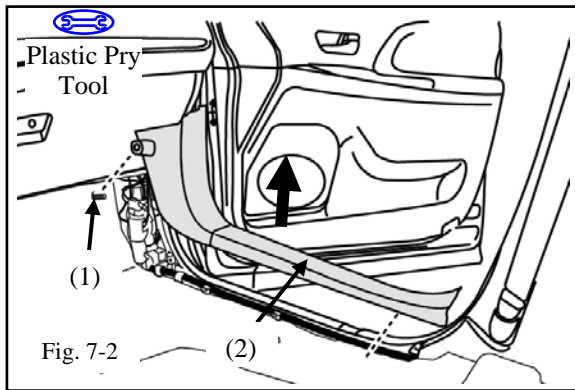
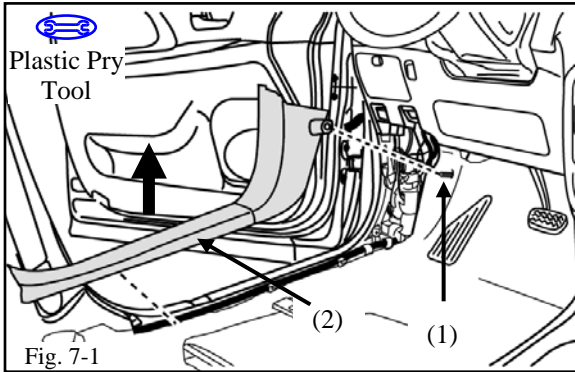
(1) Manually unscrew the screw (1) on the driver side cowl cover and remove with the kick panel cover (2) using a plastic pry tool. (Fig. 7-1)

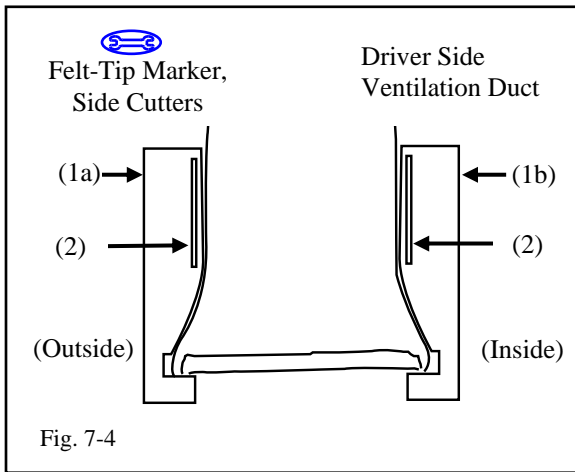
STOP (b) Remove the passenger side front kick panel cover and cowl cover.

(1) Manually unscrew the screw (1) on the passenger side cowl cover and remove with the kick panel cover (2) using a plastic pry tool. (Fig. 7-2)

STOP (c) Disengage the vehicle harnesses (1) from the three clips (2) located under the front kick panel covers on both the driver and passenger sides. (Fig. 7-3)

(d) Remove the three clips (2) using a plastic pry tool. (Fig. 7-3)





- (e) Cutting the pass through holes in the carpet for the AIM Bracket mounting feet (either side of the driver side ventilation duct.)



- (1) Using the Carpet Cutting Template (1a) and a felt-tip marker, mark the carpet on the outside of the ventilation duct to be cut out. (Fig. 7-4)



- (2) Using the reverse side of the Carpet Cutting Template (1b) and a felt-tip marker, mark the carpet on the inside of the ventilation duct to be cut out. (Fig. 7-4)



CAUTION: Insert a hard surface barrier prior to cutting the carpet to protect the wire harness beneath the carpet.

- (3) Using side cutters, cut through the floor carpet on the two marked lines (2). (Fig. 7-4)



CAUTION: Be careful not to cut vehicle harness located under the carpet.

- (f) Fold the floor carpet backward toward the rear of the vehicle exposing the entire floor pan from under the dash to the B-Pillar.

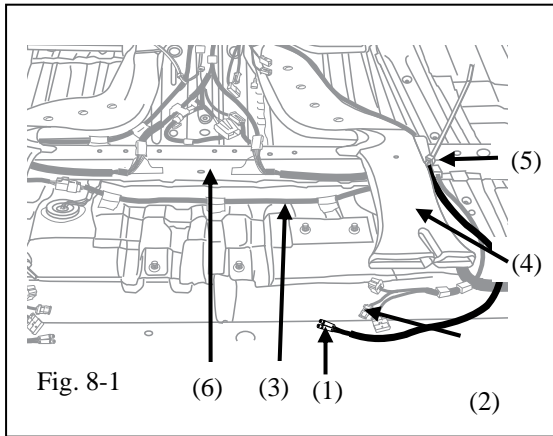


Fig. 8-1

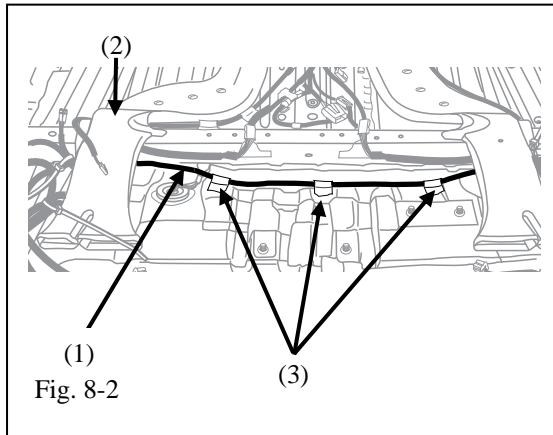


Fig. 8-2

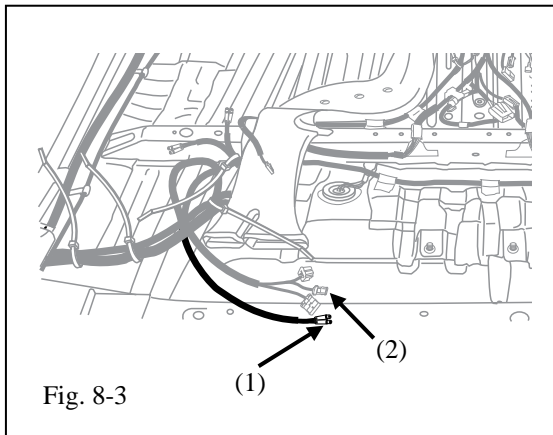


Fig. 8-3

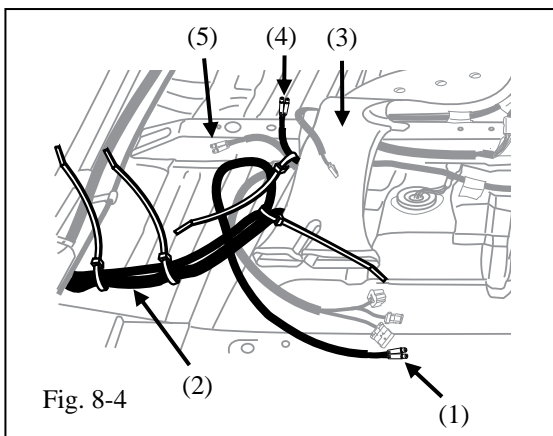


Fig. 8-4

8. Extension Harness Routing



CAUTION: Do not secure accessory harness to any harness with S.R.S. “Yellow” harness routing.

(a) Passenger Side Extension Harness Routing



(1) Align the red and green connectors (1) on one end of the extension harness with the connectors (2) of the existing vehicle harness under the passenger seat location. (Fig. 8-1)

(2) Route the extension harness (3) under the ventilation duct (4) toward the front of the vehicle. Secure the harness with one cable tie (5) at the point where the vehicle harness (2) crosses under the ventilation duct through the channel (6). (Fig. 8-1)



NOTE: The harness must be four inches from the channel.

(3) Route the extension harness (1) through the channel toward the driver side of the vehicle and under the driver side ventilation duct (2). Secure extension harness to the floor pan with three pieces of foam tape (3). (Fig. 8-2)

(b) Driver Side Extension Harness Routing



(1) Align the blue and yellow connectors (1) on one end of the driver side extension harness to the connectors of the existing vehicle harness (2) under the driver seat location. (Fig. 8-3)

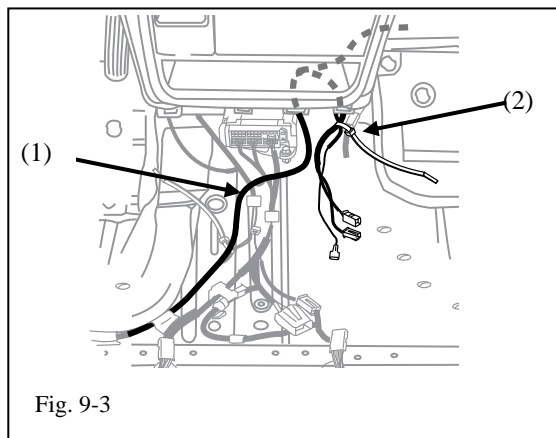
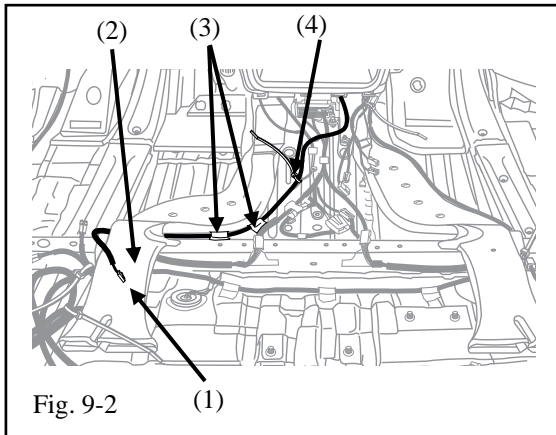
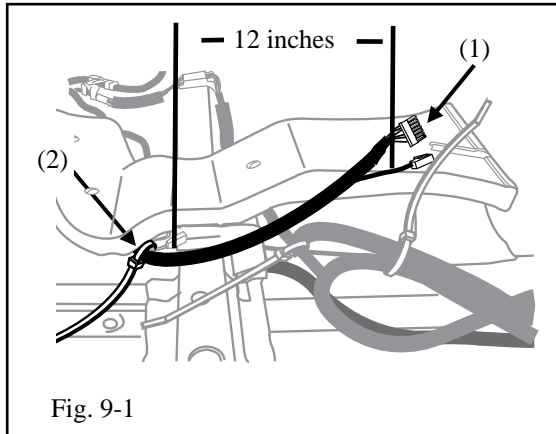
(2) Route the extension harness (1) along the existing vehicle harness (2) looping the extension harness around towards the side of the vehicle and back toward the ventilation duct (3) so the the blue and yellow extension harness connectors (4) are aligned with the red and green extension harness connectors (5). (Fig. 8-4)



(3) Secure the harness with four zip ties.

(c) Cut all excess lengths of cable ties.

9. Installing the Power / Audio Interface Harness



STOP (a) Measure 12” of the power/audio interface harness from power/audio connectors (1). Secure the power/audio interface harness at the 12” mark to the existing vehicle harness located at the white wire harness bracket with one zip tie (2). (Fig. 9-1)

(b) Route the power/audio interface harness (1) under and along the ventilation duct (2) and toward the front passenger side of the vehicle. Secure the power/audio interface harness (1) in place with two pieces of foam tape (3). (Fig. 9-2)

STOP (c) Secure the power/audio interface harness (1) under the ventilation duct (2) to the ground harness with one zip tie (4). (Fig. 9-2)

(d) Route the power/audio interface harness (1) through the lower IP location. (Fig. 9-2)

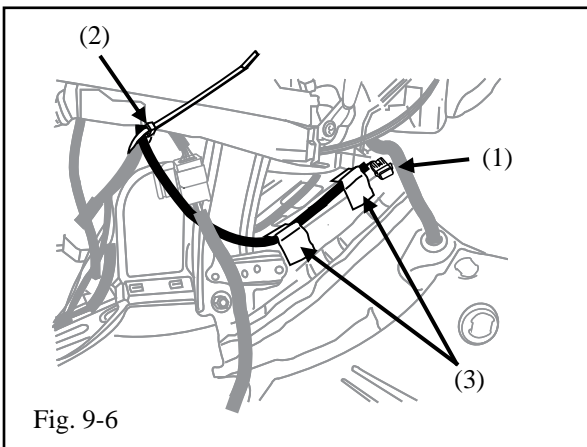
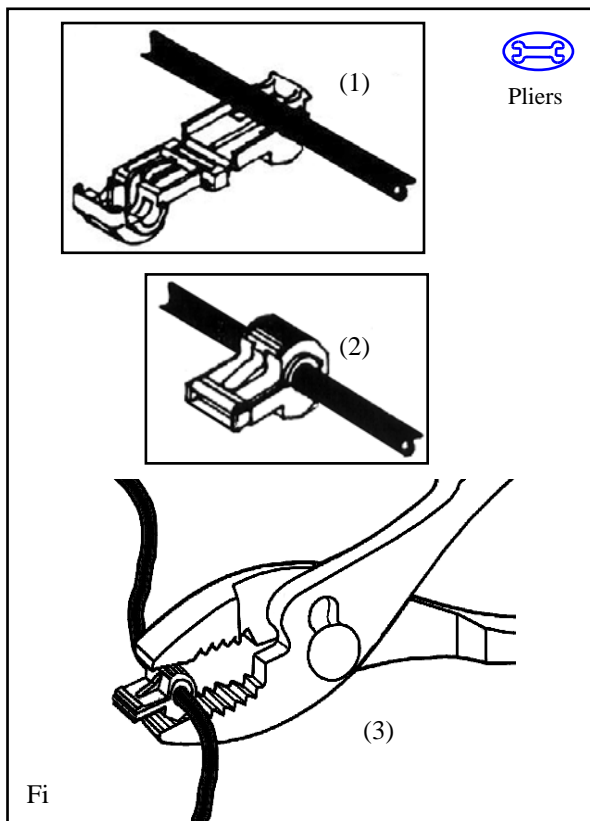
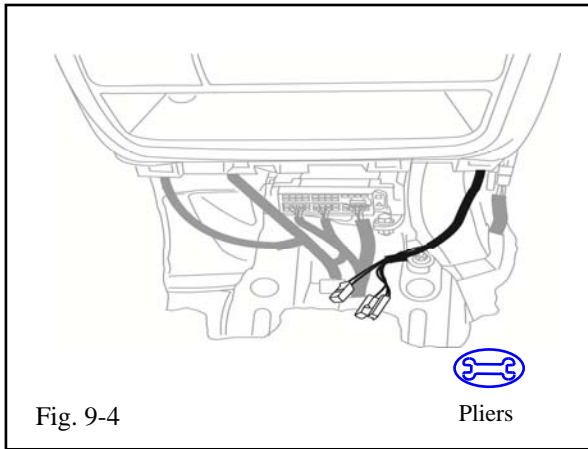
STOP (e) Secure the power/audio interface harness (1) to the cigarette lighter harness with one zip tie (2). (Fig. 9-3)

! **NOTE:** Remove foam tape from AUX harness.

(f) Connect the male connector on the power/audio interface harness to the female vehicle AUX connector. Connect the female connector on the power/audio interface harness to the male vehicle AUX connector.

(g) Secure the AUX connectors using foam tape or zip ties.

(h) Cut all excess lengths of cable ties.



(i) Connecting the Power Harness and Installing the Fuse Holder

(1) Locate the 12V accessory adaptor connector disconnected in Figure 6-2. (Fig. 9-4)

(2) Install one T-Tap connector on the blue wire and one T-Tap connector on the white with black stripe wire. (Fig. 9-4)

i. Install the T-Tap connectors. (Fig. 9-5)

ii. Place wire in open channel (1).

iii. Fold connector body until element contacts wire (2).

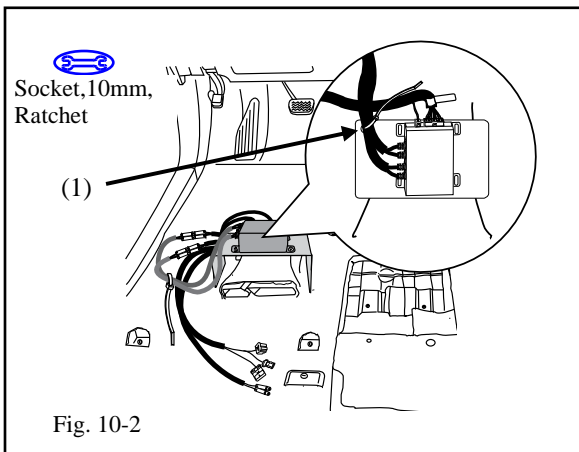
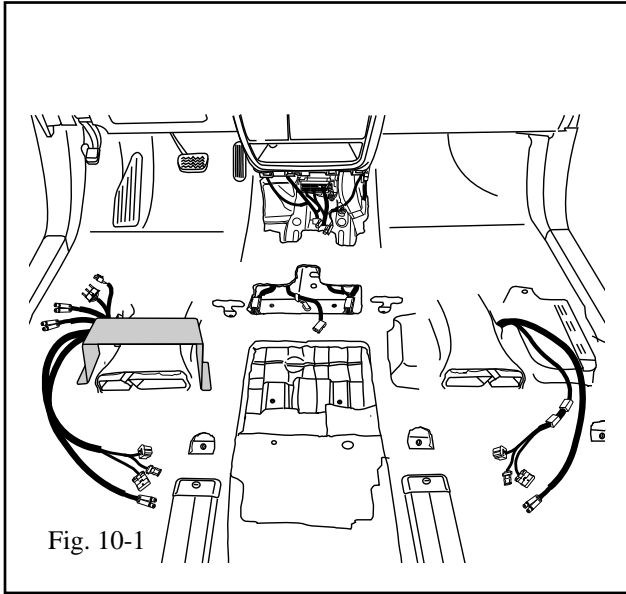
iv. Crimp connector closed with pliers (3).

(3) Connect the male spade connector with the red wire on the Power/Audio Interface Harness to the T-Tap secured to the vehicle's blue wire. (Fig. 9-4)

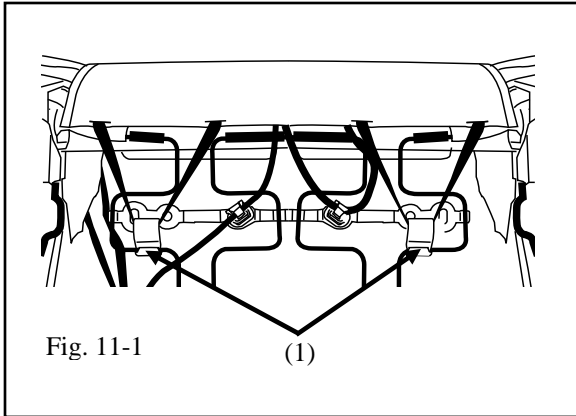
(4) Connect the male spade connector with the black wire on the Power/Audio Interface Harness to the T-Tap secured to the vehicle's white with black stripe wire. (Fig. 9-4)

(5) Route the fuse holder (1) towards the passenger Lower IP Kick Panel and secure with one zip tie (2) and two pieces of foam tape (3). (Fig. 9-6)

10. Installing the Audio Interface Module (AIM) and Bracket

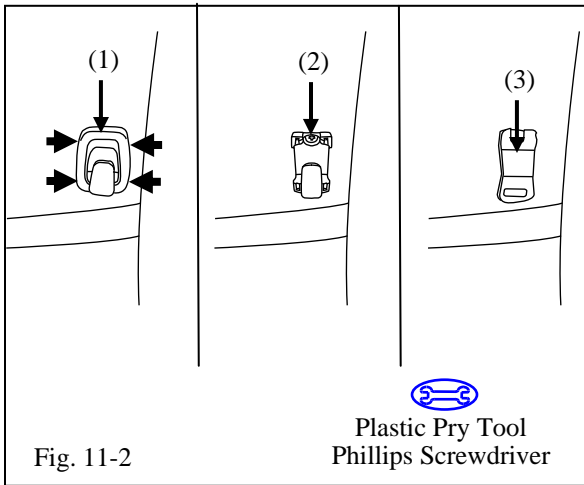


- (a) Re-install the floor carpet to its original position.
 - (b) Pull all of the under the seat wire connectors, Driver and Passenger Side Extension Harness connectors, and the Power/Audio Interface Harness Connectors through the OE openings in the floor carpet. (Fig. 10-1)
 - (c) Clean the floor pan of the vehicle with VDC approved cleaner. (Fig. 10-1)
 - (d) Place one piece of butyl tape on each foot of the AIM Bracket.
 - (e) Remove the protective backing on the butyl tape pieces.
 - (f) Feed the AIM Bracket mounting feet through the carpet cuts in the mounting location and press the AIM Bracket down to the floor pan of the vehicle. (Fig. 10-1)
 - (g) Place the AIM on the AIM Bracket with the four wire harnesses facing the driver side of the vehicle. Secure the AIM to the AIM Bracket using the four nuts. (Fig. 10-2)
 - (1) Install the four nuts and torque to 12in-lbf (1.4 N-m).
 - (h) Connect the 4 color coded connectors on the AIM to the four color-coded extension harness connectors. (Fig. 10-2)
 - (i) Install one christmas tree tie (1) into the hole in the top of the AIM Bracket. Route the four wire harnesses with color coded connectors toward the christmas tree tie and secure in place. (Fig. 10-2)
- NOTE:** Do NOT force connectors. Mating connectors are keyed for proper alignment.
- (j) Connect the 2-pin power connector and 14-pin audio connector to the AIM. (Fig. 10-2)
 - (k) Cut excess length of the christmas tree tie.



11. Passenger Side and Driver Side Seat Preparation and Seat Top Dock Installation

- (a) Undo the protective seat bottom flap by releasing the two elastic straps (1) secured under the seat and fold back. (Fig. 11-1)



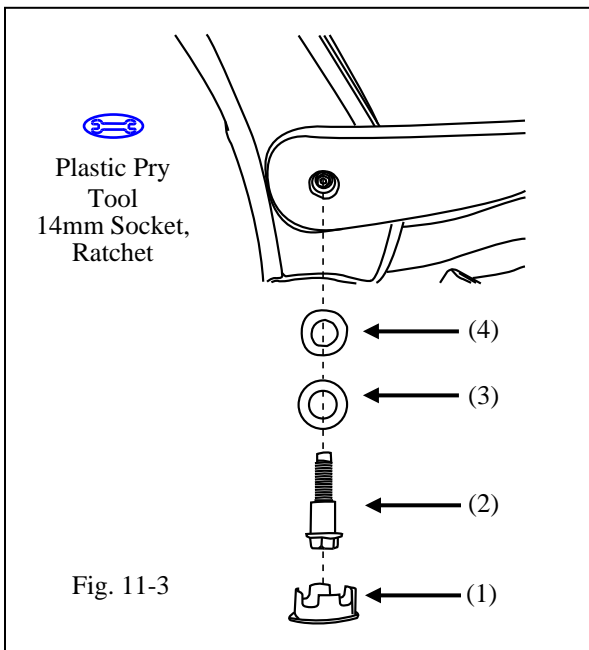
- (b) Remove the grocery bag hook from the seat back. (Fig. 11-2)

- (1) Remove the grocery bag hook trim (1) using a plastic pry tool.

- i. Disengage all 4 tabs at arrows shown in Fig. 11-2.

- (2) Remove one screw (2) using a phillips screwdriver.

- (3) Remove grocery bag hook assembly (3).

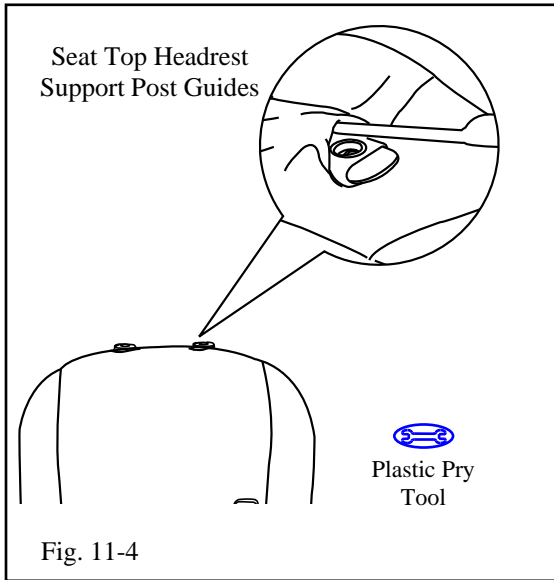


- (c) Remove the arm rest. (Fig. 11-3)

- (1) Remove the bolt cover (1) using a plastic pry tool.

- (2) Using a 14mm Socket and Ratchet remove one bolt (2), one washer (3) and one wave washer (4).

- (3) Remove the arm rest and store on protective blanket.

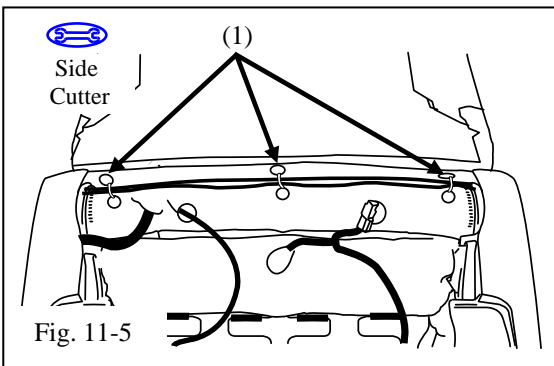


(d) Loosen the seat cover material under the headrest support post guides on each seat.

(1) Insert a plastic pry tool under the seat cover material and seat foam. (Fig. 11-4)



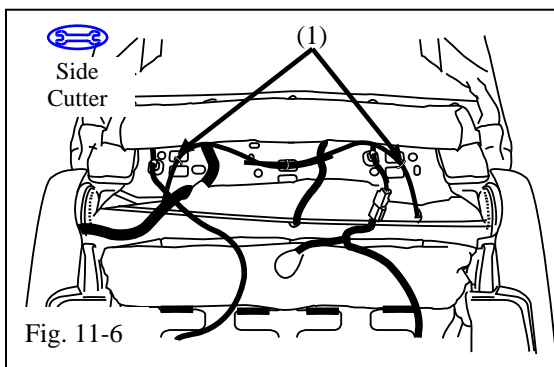
(2) Carefully lift and loosen the cover material and seat foam while rotating the plastic pry tool around the headrest support post guides (Fig. 11-4)

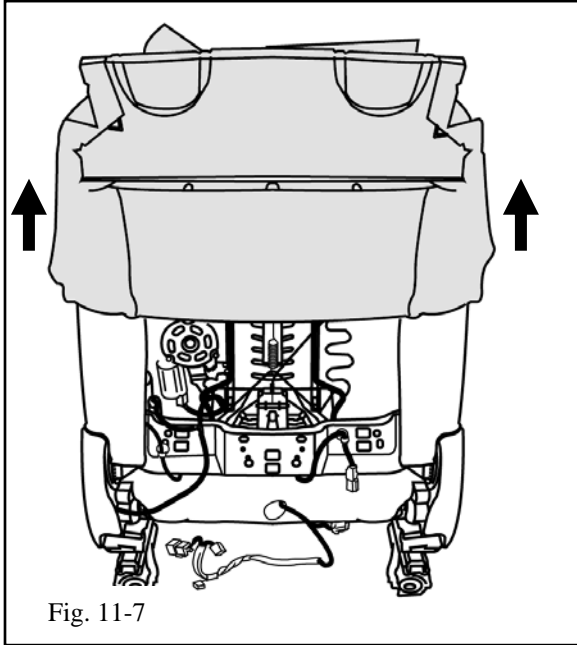


(e) Using a side cutter remove the three hog rings (1) from the bottom of the seat back cover (under the protective flap). (Fig. 11-5)



(f) Pull the seat back-cover outward to expose the hog rings. Using a side cutter remove the two hog rings (1) releasing the pink elastic tension cords. Attach two 8 inch releasable cable ties to the pink elastic tension cords. (Fig. 11-6)



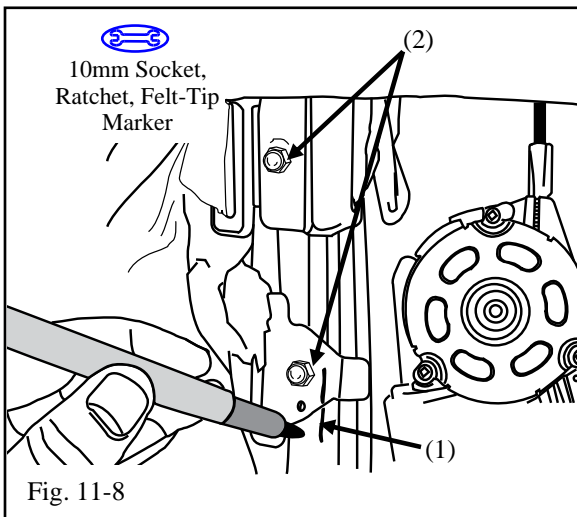


(g) From the front of the seat, pull the seatback material from the bottom of the seat outward. (Fig. 11-7)



(h) Disconnect seat heater connector.

(i) Carefully ease both sides of the seat material upward (turning it inside out) to the middle of the seat back. (Fig. 11-7)

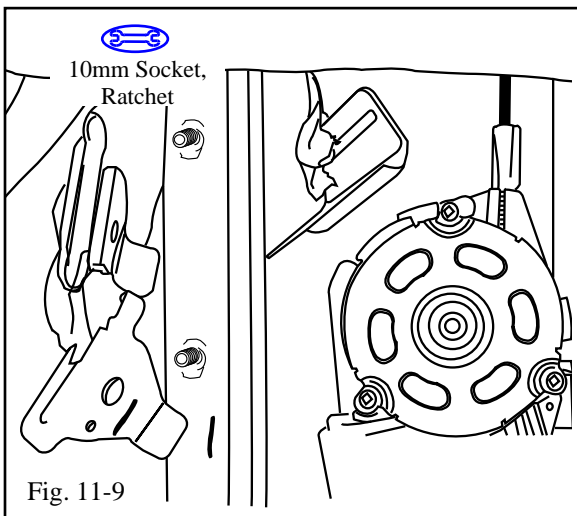


(j) Pull the seat foam outward away from the seat frame to expose the two S.I.A.B. straps. (Fig. 11-8)

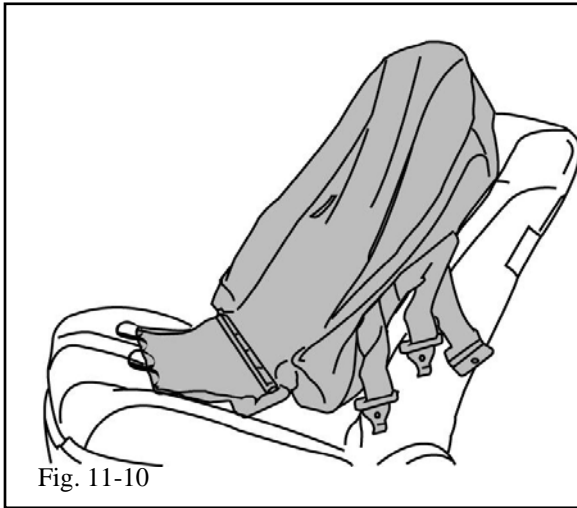
(k) Before removing the bottom clamp from the frame, mark a line (1) with a felt tip marker to ensure the correct clamp is reinstalled in the correct location. (Fig. 11-8)

(l) Remove the two acorn nuts (2) from the airbag clamp assemblies. (Fig. 11-8)

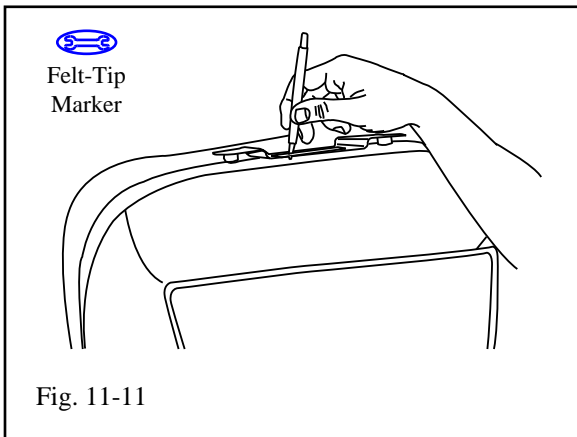
(m) Remove the two piece (upper) S.I.A.B. straps from the mounting stud and spread apart. (Fig. 11-9)



(n) Remove the one piece (lower) S.I.A.B. strap from the mounting stud. (Fig. 11-9)



- (o) Continue lifting the sides of the seat cover material up over and off of the seat foam completely turning the seat cover material inside out. (Fig. 11-10)



- (p) Marking the Driver and Passenger Seat Foam Structures. (Fig. 11-11)

- (1) Install the Seat Top Marking Template by aligning with the headrest post guides.

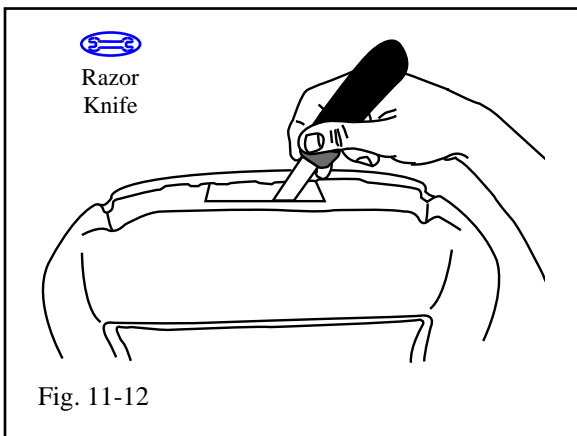


NOTE: Template must be flat on the seat top foam.

- (2) Using a felt-tip marker, mark each open slot of the retangle in the center of the Seat Top Marking Template.



NOTE: Do NOT cut seat foam.



- (q) Foam Removal and Foam Cutting. (Fig. 11-12)

- (1) Spread and lift the seat foam from the back up and off of the seat exposing the seat back framework.

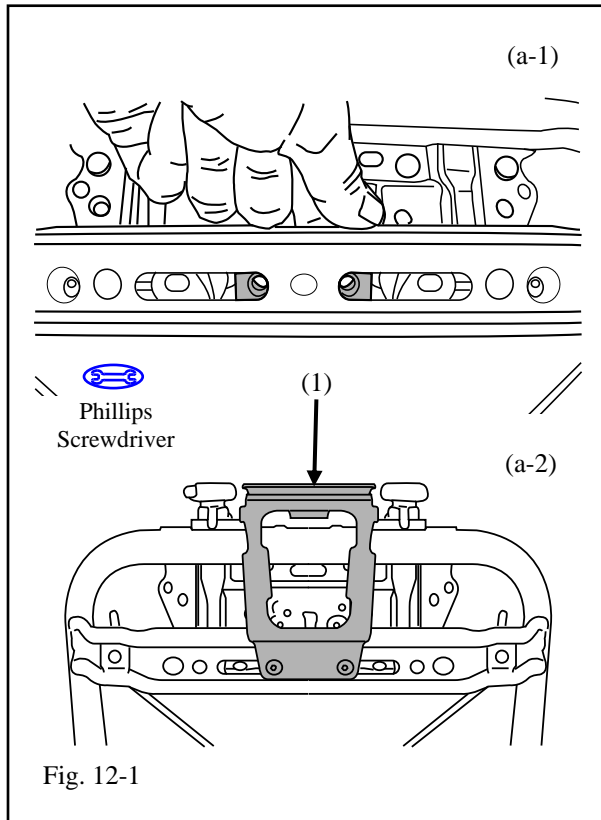


- (2) Using a razor knife carefully cut the seat foam in the area indicated by the Foam Marking template.

- (3) Remove the excess foam.

12. Seat Top Dock Bracket Mounting

The following process is performed for both driver and passenger seats.



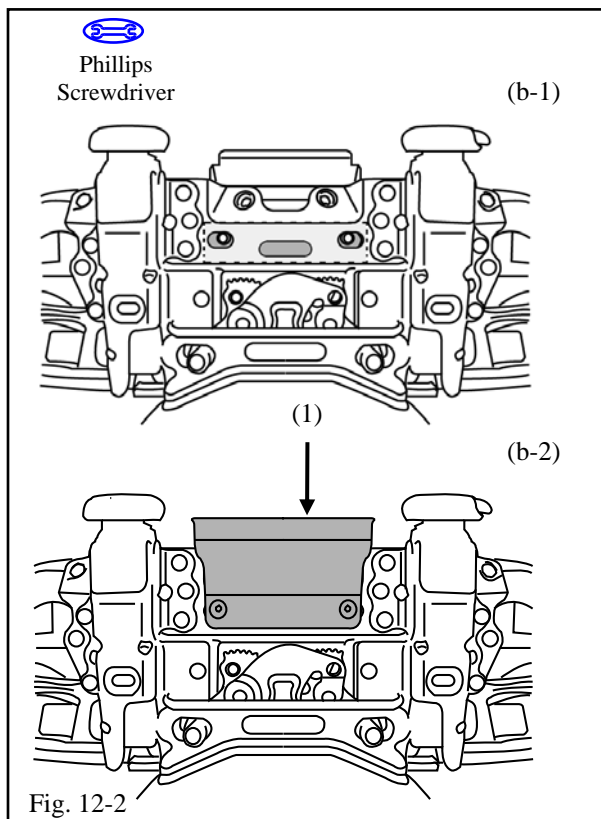
- STOP** (a) Holding the nut plate in place mount the lower bracket to seat structure using two M5 x 12mm screws. (Fig. 12-1)

- S** (1) Install the lower bracket screws and torque to 44 in-lbf (5. N-m).

- (b) Holding the nut plate in place mount the upper bracket to seat structure using two M5 x 12mm screws. (Fig. 12-2)

- S** (1) Install the upper bracket screws and torque to 44 in-lbf (5 N-m).

- (c) Spread the seat foam and slide it back onto the framework and pull the seat material down to the middle of the seat.

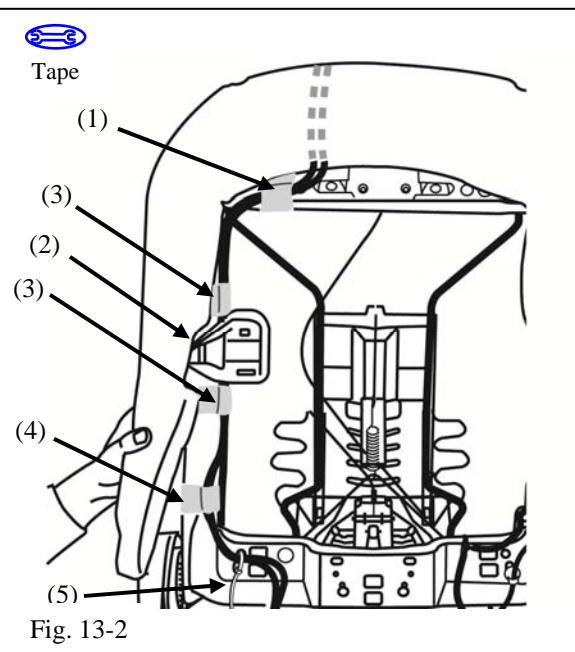
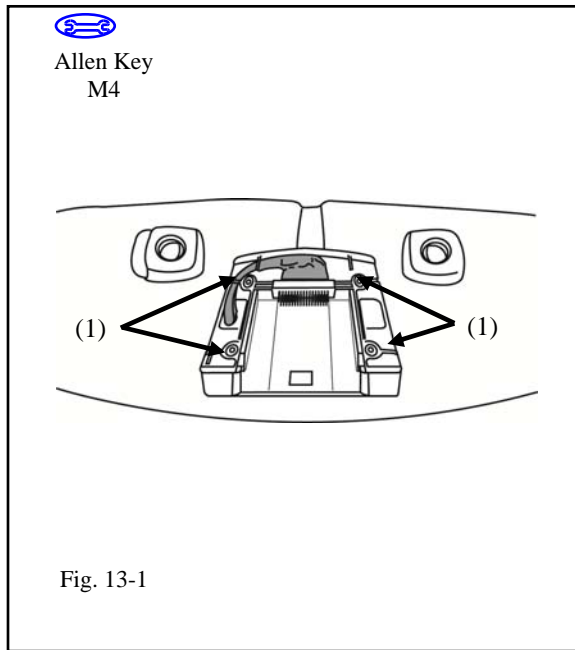


- STOP** (d) Reattach the S.I.A.B. strap assemblies in reverse order as shown in Passenger Side and Driver Side Seat Preparation and Seat Top Dock Installation step 11 (l) through (n) (see Fig. 11-8 and 11-9)

- STOP** **NOTE:** Align the marks from the felt tip marker on the lower strap bracket and the frame.

- (1) Install the S.I.A.B. strap assemblies and torque to 49 in-lbf (5.5 N-m).

- (e) Making sure the seat material is pulled tight over the seat top, use a plastic pry tool to refit the foam and seat material around the headrest support post guides.



13. Seat Top Dock Installation-Passenger Side

(a) Marking the Top of the Seat

- (1) Install the Seat Top Marking Template by aligning with the headrest post guides.



NOTE: Template must be flat on the seat cover material.

- (2) Using a felt-tip marker, mark the four circles and the slot marked (PASS) with a felt tip marker.
- (3) Remove the template.

(b) Cutting the Top of the Seat Material



- (1) Using a razor knife carefully cut the seat material in the (PASS) location.
- (2) Using a razor knife mark carefully cut the four circles marked in the seat material.

(c) Route the passenger side seat top dock harness (red and green color coded connectors) from the seat top dock down to the bottom of the seat. (Fig. 13-1)



- (d) Attach the seat top dock using four M4 x 28mm screws (1). (Fig. 13-1)



- (1) Install the seat top dock screws and torque to 15 in-lbf (1.7N-m).

(e) Snap the plastic top cover on the seat top dock. (Fig. 13-1)

(f) Using one piece of foam tape (1) secure the harness to the seat framework. (Fig. 13-2)

(g) Insert the harness in a piece of split loom (2) to protect the harness from chafing against the grocery bag hook bracket. Tape both ends of the the split loom with electrical tape. (Fig. 13-2)

- (h) Attach the split loom assembly to seat framework using foam tape (3). (Fig. 13-2)
- (i) Attach the harness to the seat back using one piece of foam tape (4) and a cable tie (5). (Fig. 13-2)

14. Seat Top Dock Installation-Driver Side

(a) Marking the Top of the Seat

- (1) Install the Seat Top Marking Template by aligning with the headrest post guides.

NOTE: Template must be flat on the seat cover material.



- (2) Using a felt-tip marker, mark the four circles and the slot marked (DR) with a felt tip marker.

- (3) Remove the template.

(b) Cutting the Top of the Seat Material

- (1) Using a razor knife carefully cut the seat material in the (DR) location.



- (2) Using a razor knife mark carefully cut the four circles marked in the seat material.

- (c) Route the passenger side seat top dock harness (Blue and yellow color coded connectors) from the seat top dock down to the bottom of the seat. (Fig. 14-1)

- (d) Attach the seat top dock using four M4 x 28mm screws (1). (Fig. 14-1)



- (e) Install the seat top dock screws and torque to 15 in-lbf (1.7 N-m).

- (f) Snap the plastic top cover on the seat top dock. (Fig. 14-1)

- (g) Using one piece of foam tape (1) secure the harness to the seat framework. (Fig. 14-2)

- (h) Insert the harness in a piece of split loom (2) to protect the harness from chafing against the grocery bag hook bracket. Tape both ends of the the split loom with electrical tape. (Fig. 14-2)

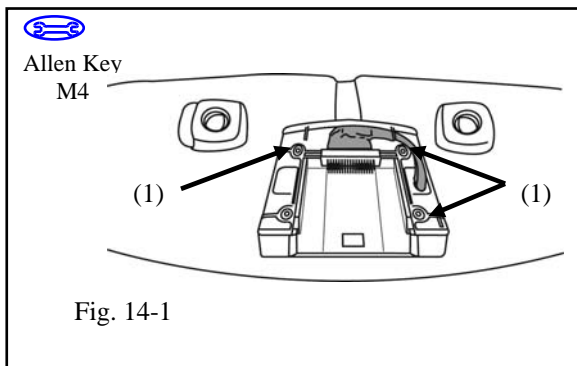


Fig. 14-1

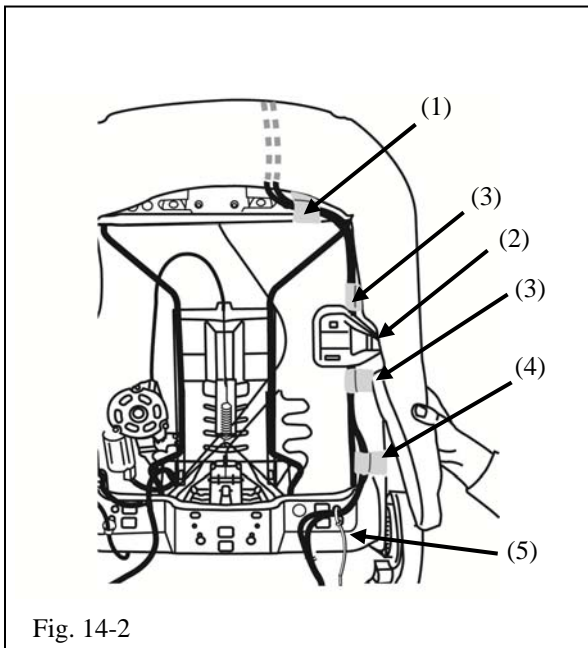
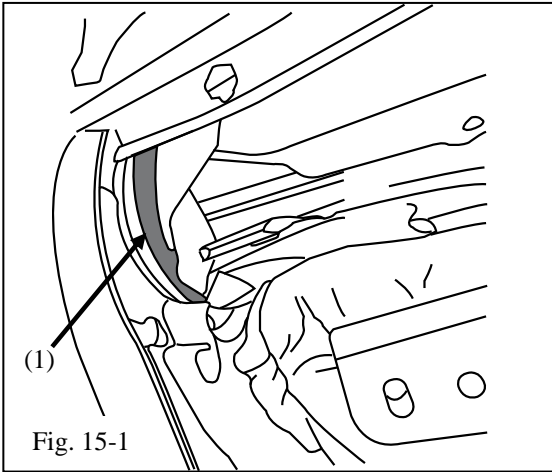


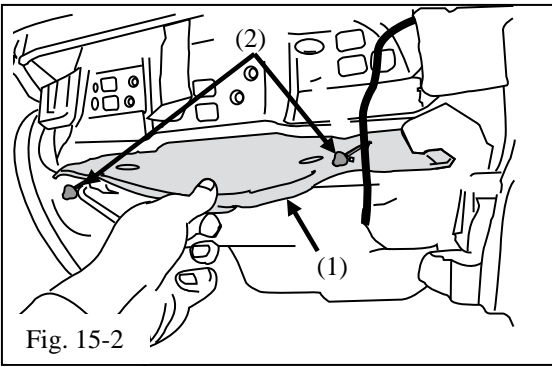
Fig. 14-2

- (h) Attach the split loom assembly to seat framework using foam tape (3). (Fig. 14-2)
- (i) Attach the harness to the seat back using one piece of foam tape (4) and a cable tie (5). (Fig. 14-2)

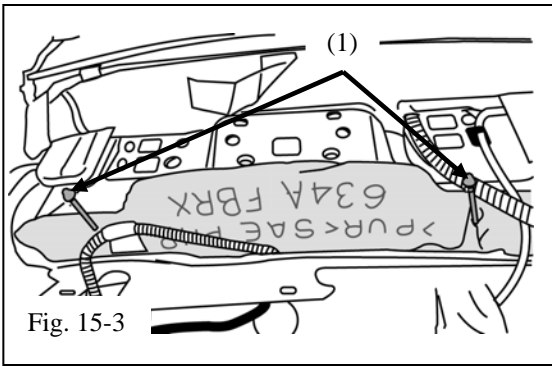
15. Passenger Side and Driver Side Seat Reinstallation



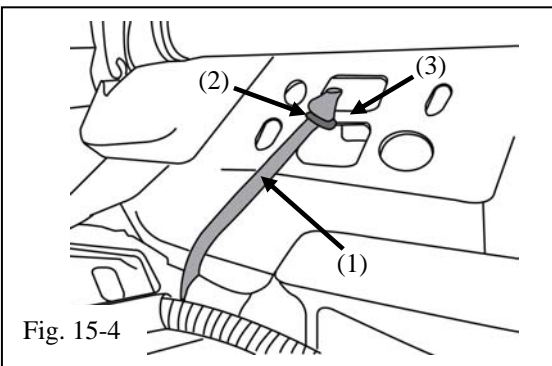
- (a) Reinstall the plastic gear spacer (1). (Fig. 15-1)



- (b) Pull the foam flap (1) to ensure it is not hidden and that the pink tension cords (2) are visible. (Fig. 15-2)



- (c) Guide the pink tension cords (1) through the foam flap routing them to the area where they will be mounted. (Fig. 15-3)



- (d) Pull the pink tension cord (1) upward on the left side of the seat and use one hog ring (2) to attach it to the metal seat structure (3). (Fig. 15-4)

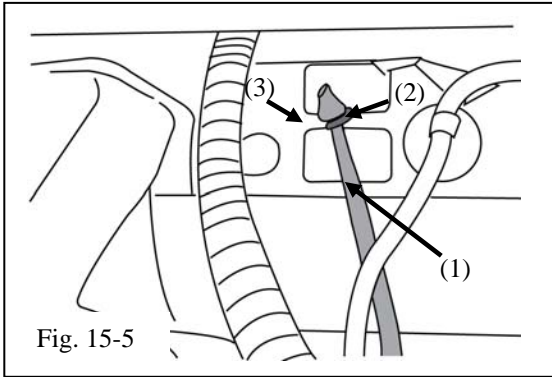


Fig. 15-5

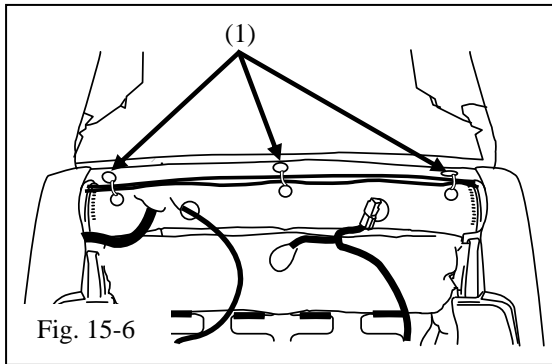


Fig. 15-6

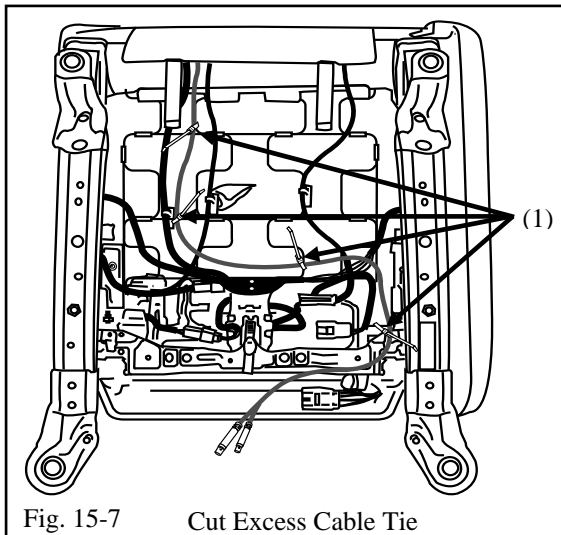





Fig. 15-7 Cut Excess Cable Tie

- (e) Pull the pink tension cord (1) upward on the right side of the seat and use one hog ring (2) to attach it to the metal seat structure (3). (Fig. 15-5)
- (f) Re-assemble the driver and passenger seat cover material the remaining 1/2 of the way down the seat.
- (g) Reinstall the three hog rings (1) from the bottom of the metal seat structure cover (under protective flap) (Fig. 15-6)
- (h) Turn over the seats, exposing the wire harnesses routed on the bottom side.
- (i) Continue routing the cables under and toward the front of the seat, use four 8" cable ties (1) to attach the cables to the underside of each seat. (Fig. 15-7)
-  (j) Reattach protective seat bottom flap. (Fig. 15-7)
- (k) Re-install grocery bag hooks in reverse order as shown in step 11 (b).
-  (l) Reinstall the passenger side arm rest and torque to 14 ft-lbf (19 N-m).
-  (m) Reinstall the driver side arm rest and torque to 14 ft-lbf (19 N-m).
- (n) Reinstall the passenger side and driver side seats to the vehicle.
- (1) Return the passenger seat to the vehicle and connect the red and green seat cable to the red and green connectors on the extension cable.



- (2) Connect all other seat connectors.
- (3) Reinstall the front and back seat anchor bolts and torque to 27 ft-lbf (37 N-m).



- (4) Return the driver's seat to the vehicle and connect the blue and yellow seat cable to the blue and yellow connectors on the extension cable.



- (5) Connect all other seat connectors
- (6) Reinstall the front and back seat anchor bolts and torque to 27 ft-lbf (37 N-m).

16. In Process Functional Test

- (a) Temporarily reconnect battery negative cable.
- (b) Turn ignition key to ACC position.
- (c) Press the power button on each of the DVD players. Verify the backlighting illuminates displaying the TOYOTA Splash Screen and the power LED illuminates bright red.
- (d) Insert a DVD into each of the DVD players. Verify that the DVD players accept the discs.
- (e) Press the play button on the remote control. Verify that the DVD video is displayed on each of the LCD monitors.



NOTE: On the wireless headphones, the 1-2 switch allows the user to select the audio from either the Passenger Side (CH 1) or the Driver Side (CH 2). When sitting in front of the passenger side screen, use the CH 1 switch setting. When sitting in front of the driver side screen, use the CH 2 switch setting.

- (f) Using the test wireless headphones, verify that audio from each of the DVD players can be heard through the headphones and with the correct channel settings.
- (g) Press the power button on the head unit and verify that the radio turns on.
- (h) Press the AUX button on the head unit and verify that the audio is heard from the DVD playing on the Passenger Side DVD.
- (1) Fully adjust the Audio Balance to the Passenger side of the vehicle and verify that the audio is heard.

- (2) Fully adjust the audio balance to the Driver side of the vehicle and verify that the audio is heard.
- (i) Disconnect negative battery terminal.
- (j) Reassemble the vehicle interior components and trim.

17. Final Preparation



(a) Place the owner's manual in the glove box.



(b) Place the remote control in the glove box.



(c) Place the headphones in the rear cargo area.

(d) Reconnect negative battery terminal and tighten nut to 5.4 Nm (48 in-lbf).



Torque: 5.4 Nm (48 in-lbf)

(e) Temporarily install short pin.

(f) Perform the seat occupancy re-calibration procedure.

(g) Re-initialize windows and doors.

(h) Re-install the seat plastic protective covers on the driver and passenger seats.

18. Airbag Diagnostic Check

(a) Connect the scan tool connector to the vehicle's diagnostic connector.

(b) Turn the ignition switch to the ON position.

(c) Check for Airbag ECU Trouble codes – if present then clear the DTC's (Refer to handheld scan tool tester operator's manual for further details).



NOTE: Check for the latest version of the software on Toyota Information System (TIS) before setting up the scan tool.



NOTE: Ensure the software is the latest version



NOTE: Download the latest software from Toyota Information System (TIS).

19. Zero Point Calibration & Sensitivity Check

- (a) Connect the Techstream connector to the vehicle's diagnostic connector in the lower dash area.
 - a. Turn ignition switch to ON position.
 - b. Perform the Occupancy Classification Zero Point Calibration and sensitivity checks as described in the vehicle repair manual.

- (b) Reset the power windows.
 - a. Turn ignition key to ON position.
 - b. Push down the power window switches of each door, and lower the windows halfway.
 - c. Pull up the switches until the windows close and hold switches up for a further one (1) second (minimum.)

- (c) Reset the power moon roof.
 - a. Push and hold moon roof switch to close side until moon roof closes. Hold for a further two (2) seconds.

- (d) Clean up and remove any trash.

Checklist – these points **MUST** be checked to ensure a quality installation.



Check: _____

Look For: _____

Accessory Function Checks

Turn the ignition key to the ACC or Run position and turn the vehicle radio ON.

Press the power button on each of the DVD players.

Insert a DVD into each of the DVD players.

Press the play button on remote control.

Press the Power button and the AUX button on the radio.

Balance adjust

Press and release the power button on the test wireless headphones to turn them on.

Press the STOP button on the remote control.

Press the EJECT button on each of the DVD players.

Check all switches on the lower center I.P.

Turn the vehicle radio OFF and turn the ignition key to the OFF position.

Vehicle Function Checks

Air Conditioner

Fan

Radio Back Light

Accessory Adaptor Connector

Accessory Adaptor Illumination

Emergency Flashers

Check all switches on the lower center I.P.

Diagnostic Codes – using Handheld Scan Tool

Seat bolt confirmations

Verify the backlighting illuminates and displays the TOYOTA Logo on both monitors.

Verify that the DVD accepts the discs on both monitors.

Verify that DVD video is displayed on the both LCD monitors.

Verify that audio from the Passenger and Driver Side DVD can be heard through the vehicle speakers (with a disc in each monitor respectively). To hear audio from the Driver Side monitor you must first choose the M2 source on the Passenger Side monitor.

Adjust the Audio Balance to the Passenger and Driver sides of the vehicle and verify that the audio is heard.

Verify that audio from the DVD can be heard through the headphones.

Verify that DVD discs stop playing.

Verify that DVD players eject the discs properly.

Verify that all switches function properly.

Functioning Air Conditioner.

Functioning Fan.

Functioning Radio Back Light.

Functioning Accessory Adaptor.

Functioning Accessory Adaptor Illumination.

Functioning Emergency Flashers.

Verify that all switches function properly.

Confirm that no diagnostic trouble codes are present.

Confirm torque range 24-30 ft-lbf.

Checklist – these points **MUST** be checked to ensure a quality installation.



Check: _____

Vehicle Appearance Check

- After accessory installation and removal of protective cover(s), perform a visual inspection.

Look For: _____

Ensure no damage (including scuffs and scratches) was caused during the installation process.
(For PPO Installations, refer to TMS Accessory Quality Shipping Standard.)